



Pani-clima Retarder Prover - Roll In

Bakery



new Patented "Relaxed Proving System"

Features & Benefits

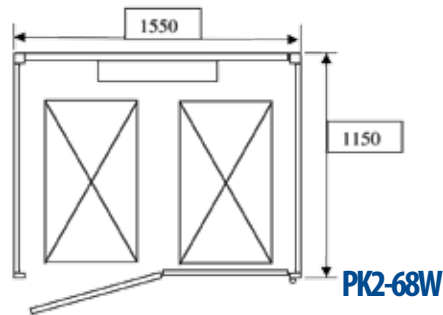
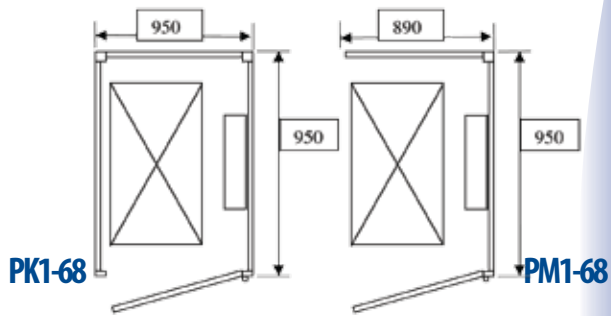
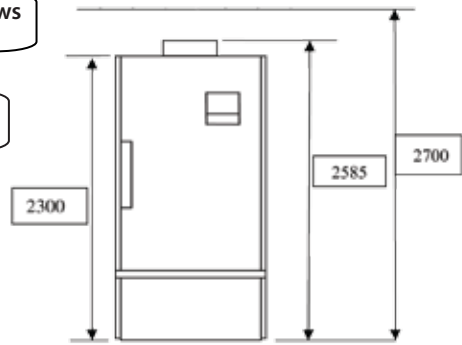
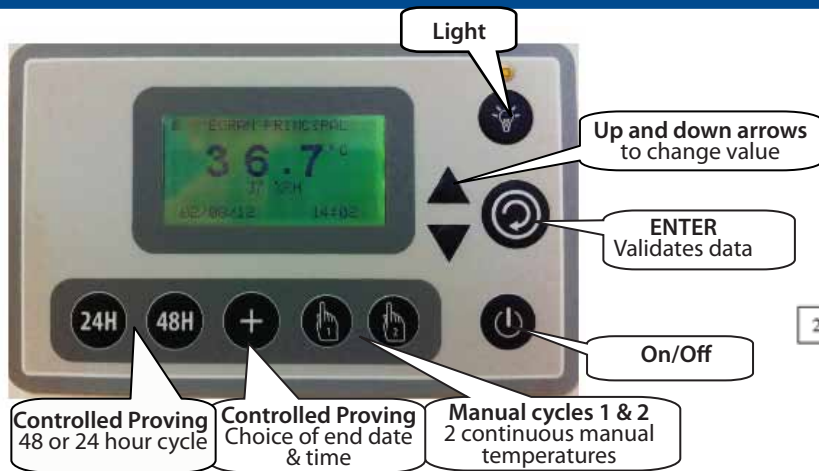


- Simple, intuitive and ergonomic
- Controls Hot & Cold air circulation
- 2-speed fans
- Cold return cycle

- Pre-programmed fermentation cycles
- Easy to read controls
- Modular Construction

Pani-clima Retarder Prover - Roll In

TECHNICAL DATA



Overall Construction

- Sandwich boards with plastic-coated metal sheet
- Stainless steel and aluminium interior
- Aluminium and plastic ventilator
- Tropicalised refrigerating units

Operation

- Controls both hot and cold air circulation
- Calibrated circulation apertures
- 2 Speed fans
- Air is recycled when the refrigerating unit or resistors are shut down
- Accurate temperature and humidity probes
- Easy to read controls (at eye height)
- Pre-programmed fermentation cycles
 - 24 hr cycle
 - 48 hr cycle
 - Cold return
 - Immediate rising

Model Number	Rack Capacity	Dimensions mm-wxdxh	Electrical Specifications
PK1-68	1 Standard 550x760	950 x 950 x 2585	240V Single Phase, 15amp/p/h
PM1-68	1 Standard	890 x 950 x 2585	240V Single Phase, 15amp/p/h
PK2-68W	2 Standard	1550 x 1150 x 2585	240V Single Phase, 15amp/p/h

In line with policy to continually develop and improve its products, Moffat reserves the right to change specifications and design without notice.

National Sales Hotline
Toll Free 1800 023 953

Melbourne
740 Springvale Road
Mulgrave, Victoria 3170
Telephone (613) 9518 3888
Facsimile (613) 9518 3833
Email: vsales@moffat.com.au

Sydney
Telephone (612) 8833 4111
Facsimile (612) 8833 4122
Email: nswsales@moffat.com.au

Perth
Telephone (618) 9202 6820
Email: vsales@moffat.com.au

Adelaide
Telephone 1800 023 953
Facsimile (613) 9518 3833
Email: vsales@moffat.com.au

Brisbane
Telephone (617) 3630 8600
Facsimile (617) 3630 8623
Email: qldsales@moffat.com.au

Christchurch, New Zealand
Telephone (643) 389 1007
Facsimile (643) 389 1276
Email: sales@moffat.co.nz
Web: www.moffat.co.nz

Auckland, New Zealand
Telephone (649) 574 3150
Facsimile (649) 574 3159
Email: sales@moffat.co.nz
Web: www.moffat.co.nz

National 24 Hour Service Hotline
(Australia Wide)
Toll Free 1800 622 216

Replacement Parts
(Australia Wide)
Toll Free 1800 337 963

