

# Technical data sheet for Electric Tilting Bratt Pan 1200mm

BPLB8120E, BPLB8120EE



BPLB8120E

## SPECIFICATIONS

### Elements

3 x 5.66kw stainless steel sheathed heating elements clad to pan base

### Electrical requirements

17kW  
400-415Vac, 50/60Hz, 3P+N+E  
Phase loading

L1 23A

L2 23A

L3 23A

### Pan

Cooking surface 1080mm x 450mm,  
4860cm<sup>2</sup>  
215mm deep

### Water connection

Cold water connection 270mm from side, 574mm from rear, and 252mm from floor

1/2" tube connection via 15mm crox fitting

550kpa, 80psi max water pressure

### Electrical connection

60mm from LH side, 405mm from rear,  
and 150mm from floor

### Dimensions

Width 1200mm  
Depth 805mm  
Height 915mm  
Incl. low back 970mm  
Incl. splashback option 1130mm  
With lid open 1600mm

### Nett weight

220kg

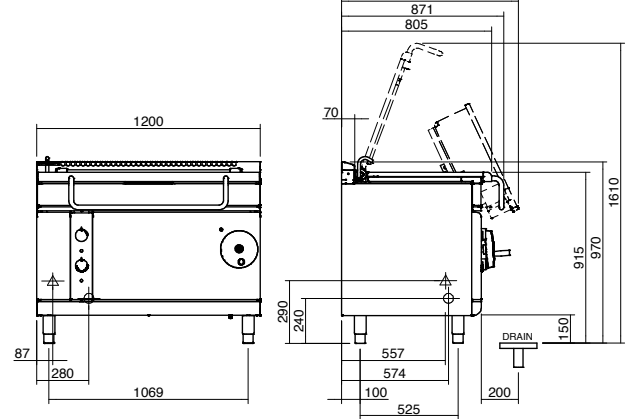
### Packing data

1.36m<sup>3</sup>, 300kg  
Width 1245mm  
Depth 870mm  
Height 1255mm

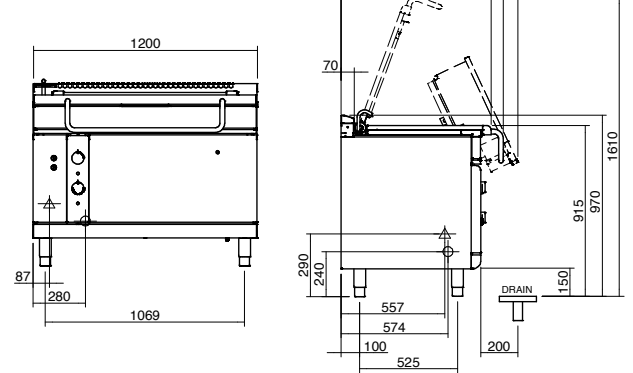
### OPTIONS AT EXTRA COST

Joining caps  
Plinth mounting

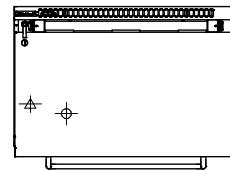
BPLB8080E



BPLB8080EE



PLAN



⚡ = ELECTRICAL CONNECTION POINT.  
⊕ = WATER CONNECTION POINT.

## Series Options

BPLB - Low back models

BPB - 215mm splashback option



Australia [moffat.com.au](http://moffat.com.au)

New Zealand [moffat.co.nz](http://moffat.co.nz)

In line with policy to continually develop and improve its products, Moffat Limited reserves the right to change specifications and design without notice.



ISO9001  
Quality  
Management  
Standard

an Ali Group Company



The Spirit of Excellence