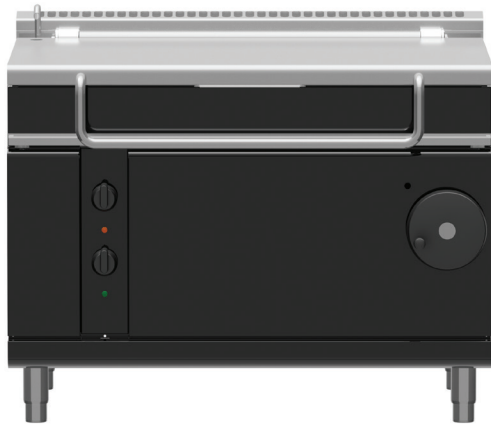


Technical data sheet for Gas Tilting Bratt Pan 1200mm

BPLB8120G, BPLB8120GE



BPLB8120G

SPECIFICATIONS

Burner

Single 8 bar stainless steel burner
90MJ/hr

Gas power (gross)

90MJ/hr, 25kW

Pan

Cooking surface 1080mm x 450mm,
4860cm²
215mm deep

Gas connection

R 3/4 (BSP) male, 60mm from LH
side, 305mm from rear, and 122mm
from floor

All units supplied with Natural and
LP gas regulator

Water connection

Cold water connection 270mm from
side, 574mm from rear, and 252mm
from floor

1/2" tube connection via 15mm crox
fitting

550kpa, 80psi max water pressure

Electrical connection

220-240Vac, 50/60Hz, 1A, 1P+N+E
3 pin 10A plug cordset fitted

Dimensions

Width 1200mm
Depth 805mm
Height 915mm
Incl. low back 970mm
Incl. splashback option 1130mm
With lid open 1600mm

Nett weight

206kg

Packing data

1.36m³, 286kg
Width 1245mm
Depth 870mm
Height 1255mm

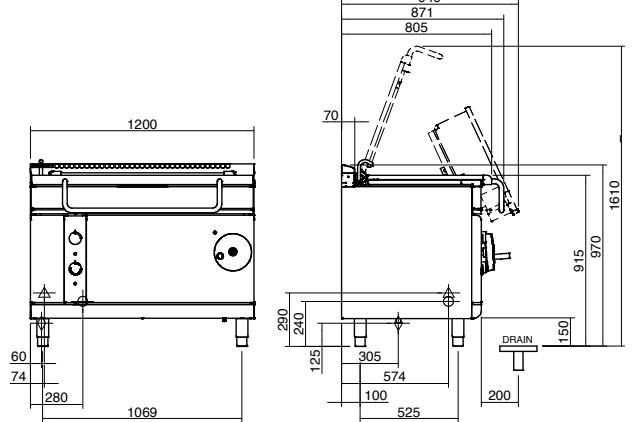
Gas types

Available in Natural gas and LP gas
Please specify when ordering
Units supplied complete with gas
type conversion kits
Other gas types on request

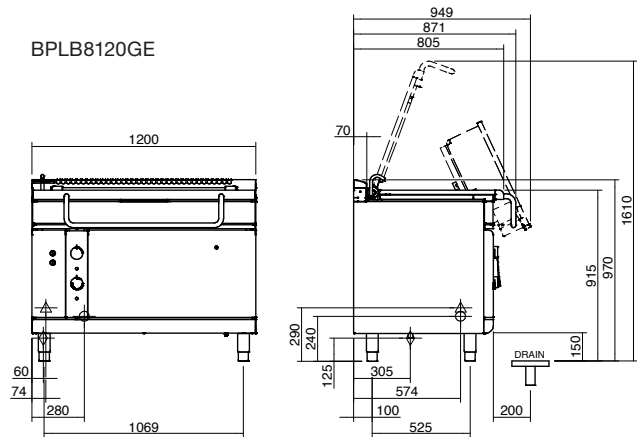
OPTIONS AT EXTRA COST

Joining caps
Plinth mounting

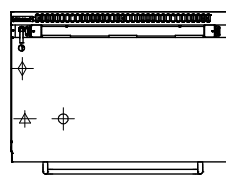
BPLB8120G



BPLB8120GE



PLAN



▲ = ELECTRICAL CONNECTION POINT.
◆ = GAS CONNECTION POINT.
⊕ = WATER CONNECTION POINT.

Series Options

BPLB - Low back models

BPB - 215mm splashback option



Australia moffat.com.au

New Zealand moffat.co.nz

In line with policy to continually develop and improve
its products, Moffat Limited reserves the right to
change specifications and design without notice.



ISO9001
Quality
Management
Standard

an Ali Group Company



The Spirit of Excellence