

Technical data sheet for
Bench Top 300mm

BTLB300-CD



BTLB300-CD

SPECIFICATIONS

Dimensions

Width 300mm
 Depth 805mm
 Height 915mm
 Incl. low back 970mm
 Incl. splashback option 1130mm

Nett weight

30kg

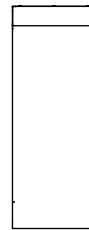
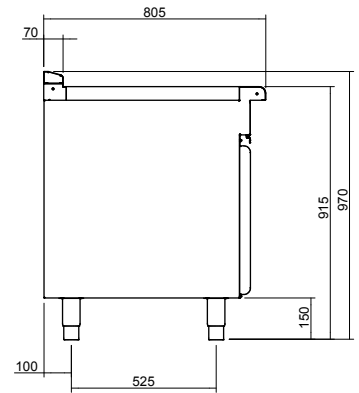
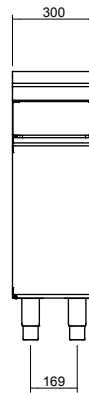
Packing data

0.373m³, 60kg
 Width 345mm
 Depth 860mm
 Height 1260mm

OPTIONS AT EXTRA COST

Castors
 Plinth mounting

BTLB8300-CD



Series Options

BTLB - Low back models
 BTB - 215mm splashback option



Australia moffat.com.au
 New Zealand moffat.co.nz

In line with policy to continually develop and improve its products, Moffat Limited reserves the right to change specifications and design without notice.



ISO9001
 Quality
 Management
 Standard

an Ali Group Company



The Spirit of Excellence