

Technical data sheet for

# Bench Top Corner Unit 400mm

BTLB8400-CD-LH, BTLB8400-CD-RH



BTLB400-CD-LH

## SPECIFICATIONS

### Dimensions

Width 400mm  
 Depth 805mm  
 Height 915mm  
 Incl. low back 970mm  
 Incl. splashback option 1130mm

### Nett weight

40kg

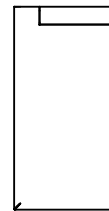
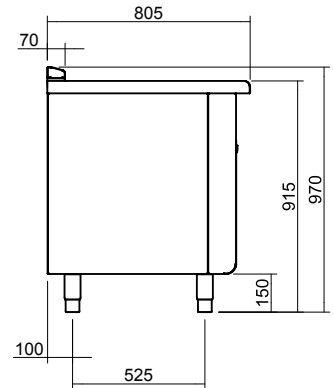
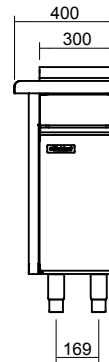
### Packing data

0.536m<sup>3</sup>, 80kg  
 Width 490mm  
 Depth 860mm  
 Height 1260mm

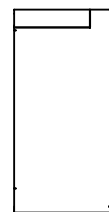
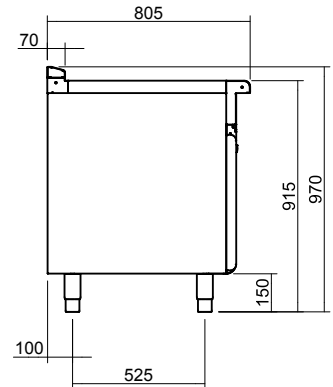
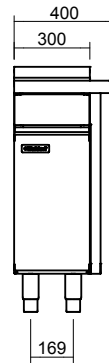
### OPTIONS AT EXTRA COST

Castors  
 Plinth mounting

BTLB8400-CD-LH



BTLB8400-CD-RH



## Series Options

BTLB - Low back models  
 BTB - 215mm splashback option



Australia [moffat.com.au](http://moffat.com.au)

New Zealand [moffat.co.nz](http://moffat.co.nz)

In line with policy to continually develop and improve its products, Moffat Limited reserves the right to change specifications and design without notice.



ISO9001  
 Quality  
 Management  
 Standard

an Ali Group Company



The Spirit of Excellence