

# Technical data sheet for Bench Top 450mm

BTLB8450-LS, BTLB450-CD



BTLB450-CD

## SPECIFICATIONS

### Dimensions

Width 450mm  
Depth 805mm  
Height 915mm  
Incl. low back 970mm  
Incl. splashback option 1130mm

### Nett weight

Leg Stand models 40kg  
Cabinet Base models 52kg

### Packing data

#### Leg Stand models

0.29m<sup>3</sup>, 74kg  
Width 495mm  
Depth 870mm  
Height 665mm

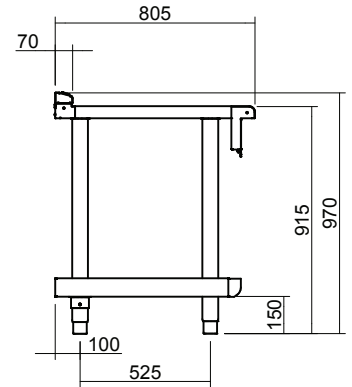
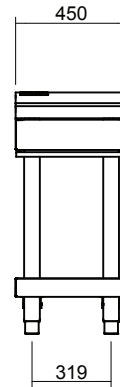
#### Cabinet Base models

0.55m<sup>3</sup>, 93kg  
Width 495mm  
Depth 870mm  
Height 1260mm

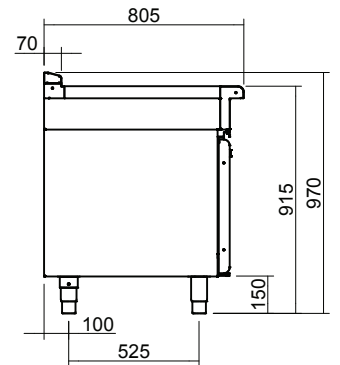
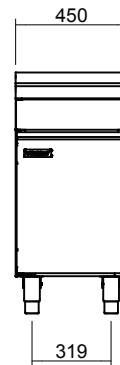
### OPTIONS AT EXTRA COST

Castors  
Plinth mounting

BTLB8450-LS



BTLB8450-CD



### Series Options

BTLB - Low back models  
BTB - 215mm splashback option



Australia [moffat.com.au](http://moffat.com.au)

New Zealand [moffat.co.nz](http://moffat.co.nz)

In line with policy to continually develop and improve its products, Moffat Limited reserves the right to change specifications and design without notice.



ISO9001  
Quality  
Management  
Standard

an Ali Group Company



The Spirit of Excellence