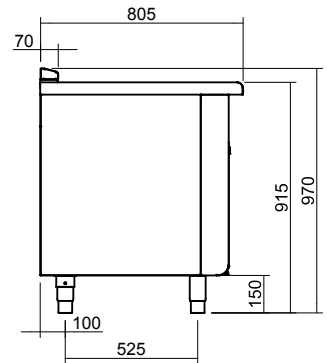
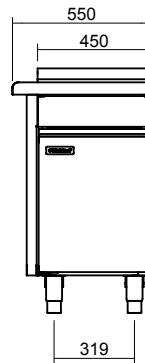


# Technical data sheet for Bench Top Corner Unit 550mm

BTLB8550-CD-LH, BTLB8550-CD-RH



BTLB8550-CD-LH



BTLB550-CD-LH

## SPECIFICATIONS

### Dimensions

Width 550mm  
Depth 805mm  
Height 915mm  
Incl. low back 970mm  
Incl. splashback option 1130mm

### Nett weight

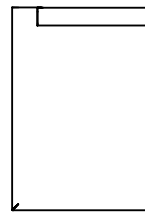
47kg

### Packing data

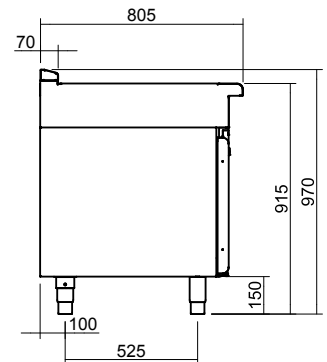
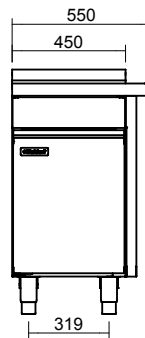
0.704m<sup>3</sup>, 99kg  
Width 645mm  
Depth 860mm  
Height 1260mm

### OPTIONS AT EXTRA COST

Castors  
Plinth mounting



BTLB8550-CD-RH



## Series Options

BTLB - Low back models  
BTB - 215mm splashback option



Australia [moffat.com.au](http://moffat.com.au)

New Zealand [moffat.co.nz](http://moffat.co.nz)

In line with policy to continually develop and improve its products, Moffat Limited reserves the right to change specifications and design without notice.



ISO9001  
Quality  
Management  
Standard

an Ali Group Company



The Spirit of Excellence