

Technical data sheet for Bench Top 600mm

BTLB8600-LS, BTLB600-CD



BTLB600-CD

SPECIFICATIONS

Dimensions

Width 600mm
Depth 805mm
Height 915mm
Incl. low back 970mm
Incl. splashback option 1130mm

Nett weight

Leg Stand models 47kg
Cabinet Base models 59kg

Packing data

Leg Stand models

0.29m³, 83kg
Width 495mm
Depth 870mm
Height 665mm

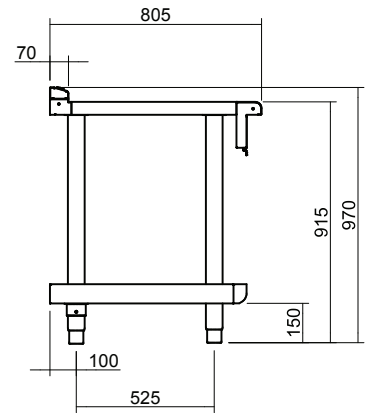
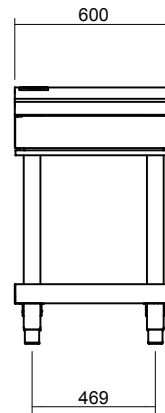
Cabinet Base models

0.55m³, 111kg
Width 495mm
Depth 870mm
Height 1260mm

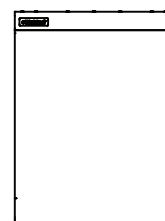
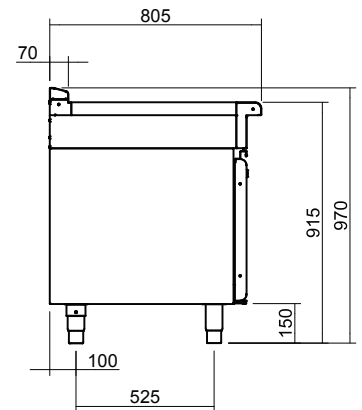
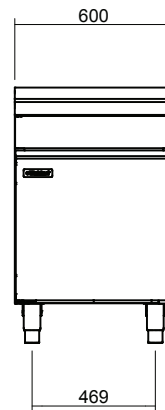
OPTIONS AT EXTRA COST

Castors
Plinth mounting

BTLB8600-LS



BTLB8600-CD



Series Options

BTLB - Low back models
BTB - 215mm splashback option



Australia moffat.com.au

New Zealand moffat.co.nz

In line with policy to continually develop and improve its products, Moffat Limited reserves the right to change specifications and design without notice.



ISO9001
Quality
Management
Standard

an Ali Group Company



The Spirit of Excellence