

Technical data sheet for Gas Chargrill 1200mm

CHLB8120G-B, CHLB8120G-LS, CHLB8120G-CD



CHLB8120G-CD

SPECIFICATIONS

Burners

33MJ/hr 304 stainless steel
U-burner per 300mm section

Gas power (gross)

133MJ/hr, 36.6kW

Cooking surface area

1192mm x 500mm, 5960cm²

Gas connection

R ¾ (BSP) male
216mm from LH side, 32mm from
rear, and 555mm from floor
All units supplied with Natural and
LP gas regulator

Dimensions

Width 1200mm
Depth 805mm
Height 915mm
Incl. low back 970mm
(Bench models 470mm)
Incl. splashback option 1130mm
(Bench models 630mm)

Nett weight

Bench/Leg Stand models
227kg
Cabinet Base model
232kg

Packing data

Bench/Leg Stand models
0.93m³, 295kg
Width 1245mm
Depth 870mm
Height 855mm
Cabinet Base model
1.36m³, 322kg
Width 1245mm
Depth 870mm
Height 1255mm

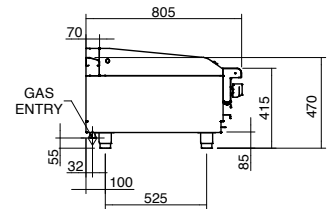
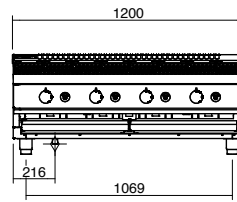
Gas types

Available in Natural gas and LP gas
Please specify when ordering
Units supplied complete with gas
type conversion kits
Other gas types on request

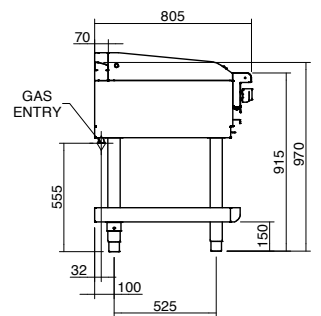
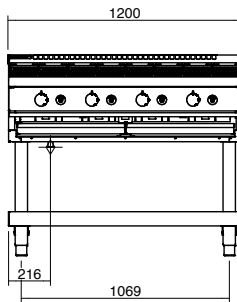
OPTIONS AT EXTRA COST

Griddle plates 300mm drop on
Joining caps
Castors
Plinth mounting
Straight grates

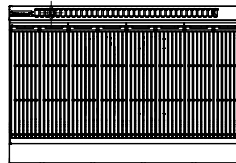
CHLB8120G-B



CHLB8120G-LS/CD



CH8120G



Series Options

CHLB - Low back models
CHB - 215mm splashback option



Australia moffat.com.au

New Zealand moffat.co.nz

In line with policy to continually develop and improve
its products, Moffat Limited reserves the right to
change specifications and design without notice.



ISO9001
Quality
Management
Standard

an Ali Group Company



The Spirit of Excellence