

Technical data sheet for

Convotherm maxx pro easyDial Combi Steamer

CXEBD6.20 ELECTRIC BOILER 14 x 1/1 GN or 7 x 2/1 GN



CXEBD6.20

- Boiler system
- Natural Smart Climate™ (ACS+) cooking methods: Steam, Combi-steam, Convection
- Natural Smart Climate™ extra functions:
 - Crisp&Tasty - 5 moisture removal settings
 - BakePro - 5 levels of traditional baking
 - HumidityPro - 5 humidity settings
 - Controllable fan - 5 speed settings
- easyDial: all functions are set on one operating level
- ConvoClean fully automatic cleaning system

DIMENSIONS

Width	1120 mm
Depth	992 mm
Height	786 mm
Weight	159 kg

PACKED DIMENSIONS

Width	1345 mm
Depth	1140 mm
Height	1025 mm
Weight (including cleaning system)	194 kg

Safety clearances*

Rear	50 mm
Right	50 mm
Left (larger recommended for servicing)	50 mm
Top (for ventilation)	500 mm

*Heat sources must lie at a minimum distance of 500 mm from the appliance.

INSTALLATION REQUIREMENTS

For precise installation instructions please refer to the units installation manual

LOADING CAPACITY

Max. number of food containers	
Shelf distance	68mm
GN 1/1 (with standard rack)	14
GN 2/1 (with standard rack)	7
600 x 400 baking sheet (with appropriate rack)	
Max. loading weight GN 1/1 / 600 x 400	10
Per combi steamer	60 kg
Per shelf	15 kg

ELECTRICAL SUPPLY

3N~ 400V 50/60Hz (3P+N+E)	
Rated power consumption	19,5 kW
Rated current	28,1 A
Fuse	32 A
RCD (GFCI), frequency converter (singlephase) (recommended), type B/F (optional)	Type A

Special voltage options available on request.
Connection to an energy optimisation system as standard.

WATER CONNECTION

Water supply	
2 x G 3/4" permanent connection, optionally including connecting pipe (min. DN13 / 1/2")	
Flow pressure	150 - 600 kPa (1.5 - 6 bar)

Appliance drain

Drain version	Permanent connection (recommended) or funnel waste trap
Type	DN50 (min. internal Ø: 46 mm)
Slope for waste-water pipe	min. 3.5% (2°)

WATER QUALITY

Drinking water	
(install water treatment system if necessary)	
Treated tap water for water injection	
Untreated tap water for cleaning, recoil hand shower	
Total hardness	
Cleaning, recoil shower 4-20°dh / 70-360 ppm / Shower (hard water)	7-35°TH / 5-25°e

Properties

pH	6.5 - 8.5
Cl- (chloride)	max. 60 mg/l
Cl ₂ (free chlorine)	max. 0.2 mg/l
SO ₄ ²⁻ (sulphate)	max. 150 mg/l
Fe (iron)	max. 0.1 mg/l
Temperature	max. 40°C
Electrical conductivity	min. 20 µS/cm

EMISSIONS

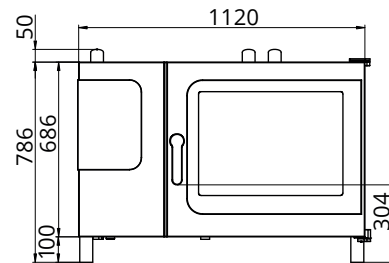
Heat output	
Latent heat	3200 kJ/h / 0.89 kW
Sensible heat	4200 kJ/h / 1.17 kW
Waste water temperature	max. 80 °C
Noise during operation	max. 70 dBA

STACKING KIT

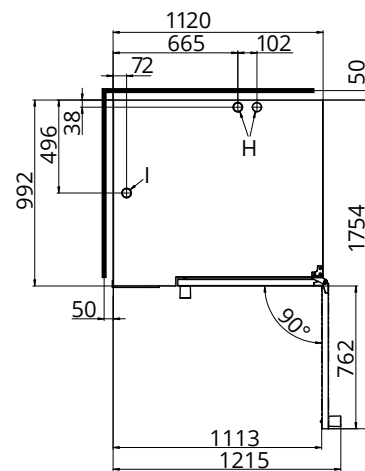
Permitted combinations	6.20 on 6.20 / 6.20 on 10.20
------------------------	------------------------------

(Electric on electric appliance)

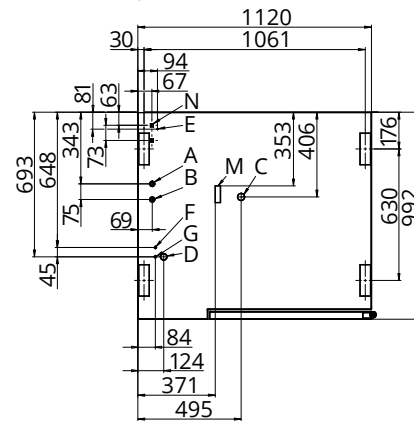
Front view



View from above with wall clearances



Connection points



- A Water connection (for boiler)
- B Water connection (for cleaning, recoil hand shower)
- C Drain connection DN50
- D Electrical connection
- E Equipotential bonding
- F Rinse-aid connection
- G Cleaning-agent connection
- H Air vent Ø 50mm
- I Dry air intake Ø 50mm
- M Safety overflow 80mm x 25mm
- N RJ45 Ethernet port



Australia moffat.com.au

New Zealand moffat.co.nz

In line with policy to continually develop and improve its products, Moffat Limited reserves the right to change specifications and design without notice.

an Ali Group Company



The Spirit of Excellence