

Technical data sheet for

Convotherm maxx pro easyDial Combi Steamer

CXESD10.20 ELECTRIC DIRECT STEAM 22 x 1/1 GN or 11 x 2/1 GN



CXESD10.20

- Direct steam system
- Natural Smart Climate™ (ACS+) cooking methods: Steam, Combi-steam, Convection
- Natural Smart Climate™ extra functions:
 - Crisp&Tasty - 5 moisture removal settings
 - BakePro - 5 levels of traditional baking
 - HumidityPro - 5 humidity settings
 - Controllable fan - 5 speed settings
- easyDial: all functions are set on one operating level
- ConvoClean fully automatic cleaning system

DIMENSIONS

Width	1120 mm
Depth	992 mm
Height	1058 mm
Weight	189 kg

PACKED DIMENSIONS

Width	1345 mm
Depth	1140 mm
Height	1300 mm
Weight (including cleaning system)	227 kg

Safety clearances*

Rear	50 mm
Right	50 mm
Left (larger recommended for servicing)	50 mm
Top (for ventilation)	500 mm

*Heat sources must lie at a minimum distance of 500 mm from the appliance.

INSTALLATION REQUIREMENTS

For precise installation instructions please refer to the units installation manual

LOADING CAPACITY

Max. number of food containers	
Shelf distance	68mm
GN 1/1 (with standard rack)	22
GN 2/1 (with standard rack)	11
600 x 400 baking sheet (with appropriate rack)	16
Max. loading weight GN 1/1 / 600 x 400	
Per combi steamer	100 kg
Per shelf	15 kg

ELECTRICAL SUPPLY

3N~ 400V 50/60Hz (3P+N+E)	
Rated power consumption	33.7 kW
Rated current	48.7 A
Fuse	50 A
RCD (GFCI), frequency converter (singlephase)	Type A (recommended), type B/F (optional)
Special voltage options available on request.	
Connection to an energy optimisation system as standard.	

WATER CONNECTION

Water supply	2 x G 3/4" permanent connection, optionally including connecting pipe (min. DN13 / 1/2")
Flow pressure	150 - 600 kPa (1.5 - 6 bar)
Appliance drain	
Drain version	Permanent connection (recommended) or funnel waste trap
Type	DN50 (min. internal Ø: 46 mm)
Slope for waste-water pipe	min. 3.5% (2°)

WATER QUALITY

Drinking water	(install water treatment system if necessary)
Treated tap water for water injection	
Untreated tap water for cleaning, recoil hand shower	
Total hardness	
Injection (soft water)	4-7 °dh / 70-125 ppm / 7-13°TH / 5-9 °e
Cleaning, recoil shower	4-20 °dh / 70-360 ppm / Shower (hard water) 7-35°TH / 5-25°e

Properties

pH	6.5 - 8.5
Cl ⁻ (chloride)	max. 60 mg/l
Cl ₂ (free chlorine)	max. 0.2 mg/l
SO ₄ ²⁻ (sulphate)	max. 150 mg/l
Fe (iron)	max. 0.1 mg/l
Temperature	max. 40°C
Electrical conductivity	min. 20 µS/cm

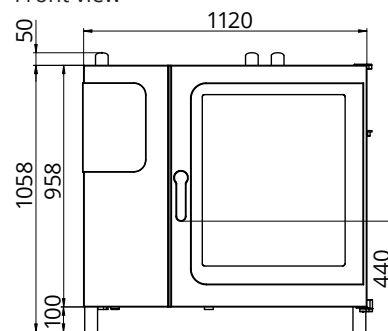
EMISSIONS

Heat output	
Latent heat	4700 kJ/h / 1.31 kW
Sensible heat	5100 kJ/h / 1.42 kW
Waste water temperature	max. 80 °C
Noise during operation	max. 70 dBA

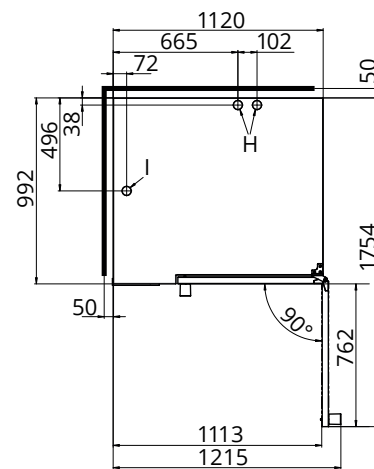
STACKING KIT

Permitted combinations	6.20 on 10.20 (Electric on electric appliance)
------------------------	--

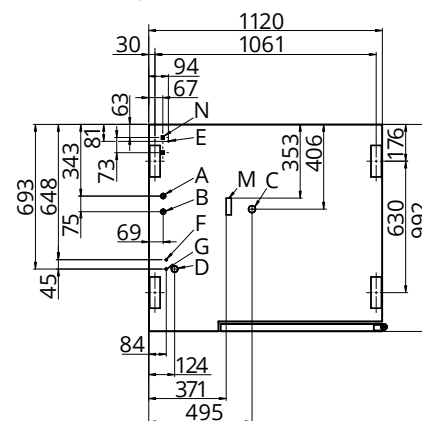
Front view



View from above with wall clearances



Connection points



- A Water connection (for water injection)
- B Water connection (for cleaning, recoil hand shower)
- C Drain connection DN50
- D Electrical connection
- E Equipotential bonding
- F Rinse-aid connection
- G Cleaning-agent connection
- H Air vent Ø 50mm
- I Dry air intake Ø 50mm
- M Safety overflow 80mm x 25mm
- N RJ45 Ethernet port



Australia moffat.com.au

New Zealand moffat.co.nz

In line with policy to continually develop and improve its products, Moffat Limited reserves the right to change specifications and design without notice.

an Ali Group Company



The Spirit of Excellence