

Technical data sheet for

Convotherm maxx pro easyDial Combi Steamer

CXGBD6.20 GAS BOILER 14 x 1/1 GN or 7 x 2/1 GN



CXGBD6.20

DIMENSIONS

Width	1120 mm
Depth	992 mm
Height	786 mm
Weight	168 kg

PACKED DIMENSIONS

Width	1345 mm
Depth	1140 mm
Height	1025 mm
Weight (including cleaning system)	203 kg

Safety clearances*

Rear	50 mm
Right	50 mm
Left (larger recommended for servicing)	50 mm
Top (for ventilation)	1000 mm

*Heat sources must lie at a minimum distance of 500 mm from the appliance.

INSTALLATION REQUIREMENTS

For precise installation instructions please refer to the units installation manual

LOADING CAPACITY

Max. number of food containers

Shelf distance	68mm
GN 1/1 (with standard rack)	14
GN 2/1 (with standard rack)	7
600 x 400 baking sheet (with appropriate rack)	10

Max. loading weight GN 1/1 / 600 x 400

Per combi steamer	60 kg
Per shelf	15 kg

ELECTRICAL SUPPLY

1N~ 230-240V 50/60Hz (1P+N+E)	
Rated power consumption	0.6 kW
Rated current	2.7 A
Fuse	16 A
RCD (GFCI), frequency converter	Type A
(singlephase)(recommended), type B (optional)	
3 Pin plug (10 Amp)	Cordset fitted

GAS SUPPLY

Gas Connection for natural or LPG	R3/4
Installation conditions	customer premise
Nominal gas consumption	74 MJ/hr
Convection power output	74 MJ/hr
Steam generator output	74 MJ/hr

Supply flow pressure

Natural Gas	1.13kPa – 3kPa
LPG	2.75kPa – 4kPa

WATER CONNECTION

Water supply

2 x G 3/4" permanent connection, optionally including connecting pipe (min. DN13 / 1/2")

Flow pressure 150 - 600 kPa (1.5 - 6 bar)

Appliance drain

Drain version Permanent connection (recommended) or funnel waste trap

Type DN50 (min. internal Ø: 46 mm)

Slope for waste-water pipe min. 3.5% (2°)

WATER QUALITY

Drinking water

Total hardness

Cleaning, recoil shower 4-20°dh / 70-360 ppm / Shower, boiler 7-35°TH / 5-25°e

Properties

pH	6.5 - 8.5
Cl- (chloride)	max. 60 mg/l
Cl ₂ (free chlorine)	max. 0.2 mg/l
SO ₄ ²⁻ (sulphate)	max. 150 mg/l
Fe (iron)	max. 0.1 mg/l
Temperature	max. 40°C
Electrical conductivity	min. 20 µS/cm

EMISSIONS

Heat output

Latent heat	3200 kJ/h / 0.89 kW
Sensible heat	5000 kJ/h / 1.39 kW

Waste water temperature max. 80 °C

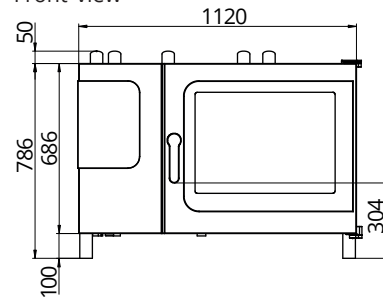
Noise during operation

max. 70 dBA

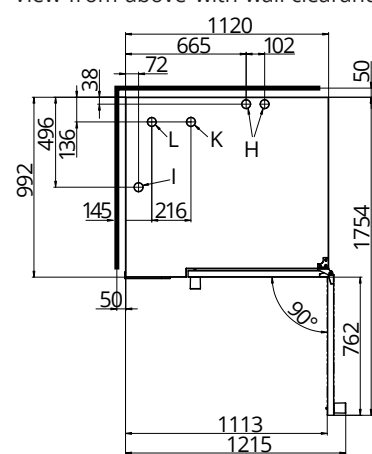
STACKING KIT

Permitted combinations	620 on 6.20 / 6.20 on 10.20 (Gas on gas appliance)
------------------------	--

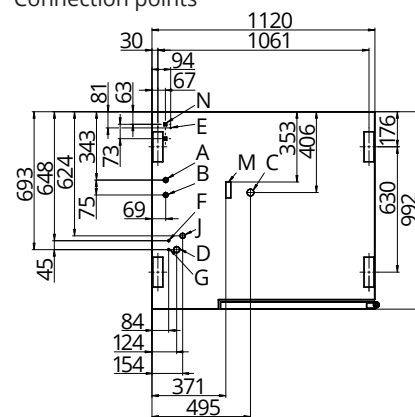
Front view



View from above with wall clearances



Connection points



- A Water connection (for boiler)
- B Water connection (for cleaning, recoil hand shower)
- C Drain connection DN50
- D Electrical connection
- E Equipotential bonding
- F Rinse-aid connection
- G Cleaning-agent connection
- H Air vent Ø 50mm
- I Dry air intake Ø 50mm
- J Gas supply
- K Convection burner exhaust outlet Ø 50mm
- L Boiler burner exhaust outlet Ø 50mm
- M Safety overflow 80mm x 25mm
- N RJ45 Ethernet port



Australia moffat.com.au

New Zealand moffat.co.nz

In line with policy to continually develop and improve its products, Moffat Limited reserves the right to change specifications and design without notice.

an Ali Group Company



The Spirit of Excellence