

Technical data sheet for

Blue Seal Electric Combi Steamer

SAPIENS BOOSTED E10BSD 10 x 1/1 GN



Dimensions

Width	852mm
Depth	797mm
Height	1055mm
Weight	120kg

Packed dimensions

Width	990mm
Depth	940mm
Height	1260mm
Weight	145.5kg

Shelves

1/1 GN	10
Shelf Spacings	70mm

Installation requirements

(for precise installation instructions, please refer to the unit's installation manual).

Power connection requirements

Multi pole circuit breaker and all pole disconnection isolator switch installed near the appliance.

Supply line voltage

400-415V ~ 50Hz, 3P+N+E
Special voltage options available on request.

Power connection

Total (kW)	18.7
Convection power (kW)	18
Rated Current (A) (400V)	29

Installation clearances

- Rear	50mm
- Right	500mm
- Left	50mm

*Clearance required on fixed installations for service accessibility.

If heat sources are located near the RH side of the Sapiens combi, ensure that a minimum distance of 400mm is maintained.

Install in accordance with local body regulations only on horizontal surfaces and not against combustible walls.

Water connection requirements

- Cold water
- Flow pressure (200-500kPa)
- Min. Water Flow 10 l/min
- Soft water connection*
- Shut-off valve with return flow inhibitor and dirt filter
- Water supply R3/4
- R50 waste water connection

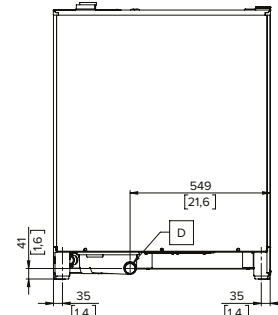
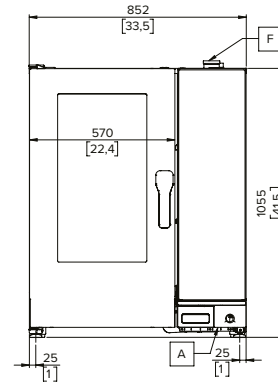
Water quality

Total Water hardness	60-90ppm
pH	>7,5
Cl (chloride)	max. 30 mg/l
Cl2 (free chlorine)	max. 0.1 mg/l
Fe (Iron)	max. 0.1 mg/l
NH2Cl (monochloramine)	0.2 mg/l
Cold water temperature	max. 30°C
Softener water temperature	max. 50°C
Electrical conductivity	50 – 200 µS/cm

(*Water treatment may be required. Please refer to installation manual.)

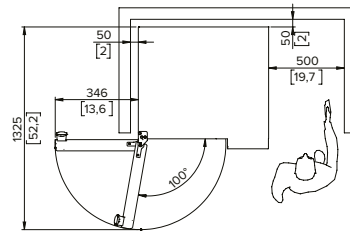
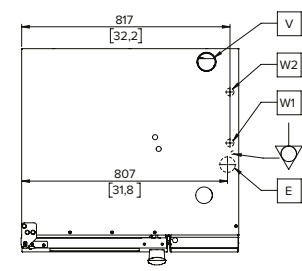
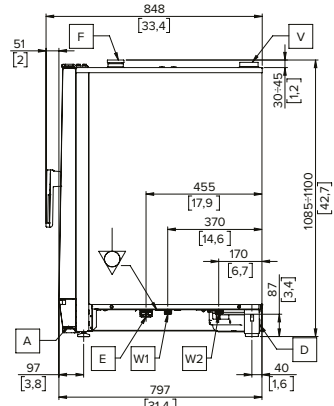
Emissions

Latent heat	3366W
Sensible heat	2244W
Waste water max discharge temperature	100°C
Noise during operation	<50 dBA



D	Ø50 [2]
G	-
S1	-
S2	-
S3	-
S4	-
V	Ø72 [2,9]
W1	G 3/4"
W2	G 3/4"

Dimensions: Millimeters [inches]



Australia moffat.com.au

New Zealand moffat.co.nz

In line with policy to continually develop and improve its products, Moffat Limited reserves the right to change specifications and design without notice.

an Ali Group Company



The Spirit of Excellence