

Technical data sheet for

Blue Seal Electric Combi Steamer

SAPIENS BOOSTED E20BSD 20 x 1/1 GN or 10 x 2/1 GN



Dimensions

Width	1072mm
Depth	907mm
Height	1055mm
Weight	160kg

Packed dimensions

Width	1210mm
Depth	1050mm
Height	1260mm
Weight	190.2kg

Shelves

1/1 GN	20
2/1 GN	10
Shelf Spacings	70mm

Installation requirements

(for precise installation instructions, please refer to the unit's installation manual).

Power connection requirements

Multi pole circuit breaker and all pole disconnection isolator switch installed near the appliance.

Supply line voltage

400-415V ~ 50Hz, 3P+N+E
Special voltage options available on request.

Power connection

Total (kW)	36.7
Convection power (kW)	36
Rated Current (A) (400V)	55

Installation clearances

- Rear	50mm
- Right	500mm
- Left	50mm

*Clearance required on fixed installations for service accessibility.

If heat sources are located near the RH side of the Sapiens combi, ensure that a minimum distance of 400mm is maintained.

Install in accordance with local body regulations only on horizontal surfaces and not against combustible walls.

Water connection requirements

- Cold water
- Flow pressure (200-500kPa)
- Min. Water Flow 10 l/min
- Soft water connection*
- Shut-off valve with return flow inhibitor and dirt filter
- Water supply R3/4
- R50 waste water connection

Water quality

Total Water hardness	60-90ppm
pH	>7,5
Cl (chloride)	max. 30 mg/l
Cl2 (free chlorine)	max. 0.1 mg/l
Fe (Iron)	max. 0.1 mg/l
NH2Cl (monochloramine)	0.2 mg/l
Cold water temperature	max. 30°C
Soften water temperature	max. 50°C
Electrical conductivity	50 – 200 µS/cm

(*Water treatment may be required. Please refer to installation manual.)

Emissions

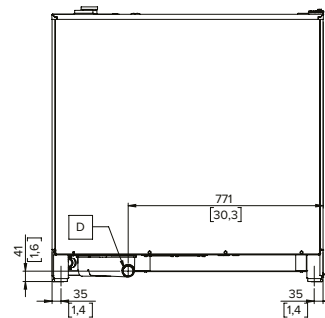
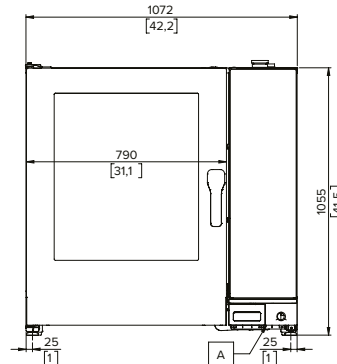
Latent heat	6516W
Sensible heat	4344W
Waste water max discharge temperature	100°C
Noise during operation	<50 dBA



Australia moffat.com.au

New Zealand moffat.co.nz

In line with policy to continually develop and improve its products, Moffat Limited reserves the right to change specifications and design without notice.



D	Ø50 [2]
G	-
S1	-
S2	-
S3	-
S4	-
V	Ø72 [2.9]
W1	G 3/4"
W2	G 3/4"

Dimensions: Millimeters [inches]

