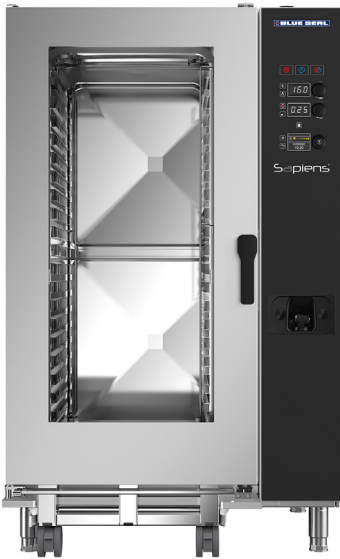


Technical data sheet for

Blue Seal Electric Combi Steamer

SAPIENS BOOSTED E40BSD 40 x 1/1 GN or 20 x 2/1 GN



Dimensions

Width	1102mm
Depth	932mm
Height	1812mm
Weight	315kg

Packed dimensions

Width	1290mm
Depth	1180mm
Height	2040mm
Weight	364.2kg

Shelves

1/1 GN	40
2/1 GN	20
Shelf Spacings	63mm

Installation requirements

(for precise installation instructions, please refer to the unit's installation manual).

Power connection requirements

Multi pole circuit breaker and all pole disconnection isolator switch installed near the appliance.

Supply line voltage

400-415V ~ 50Hz, 3P+N+E
Special voltage options available on request.

Power connection

Total (kW)	73.2
Convection power (kW)	72
Rated Current (A) (400V)	110



Australia moffat.com.au

New Zealand moffat.co.nz

In line with policy to continually develop and improve its products, Moffat Limited reserves the right to change specifications and design without notice.

Installation clearances

- Rear 80mm
- Right 500mm
- Left 50mm

**Clearance required on fixed installations for service accessibility.*

If heat sources are located near the RH side of the Sapiens combi, ensure that a minimum distance of 400mm is maintained.

Install in accordance with local body regulations only on horizontal surfaces and not against combustible walls.

Water connection requirements

- Cold water
- Flow pressure (200-500kPa)
- Min. Water Flow 10 l/min
- Soft water connection*
- Shut-off valve with return flow inhibitor and dirt filter
- Water supply R3/4
- R50 waste water connection

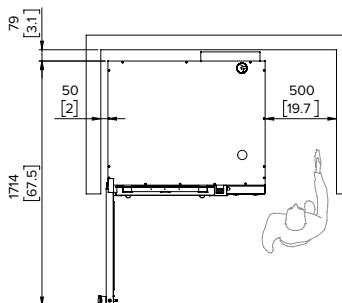
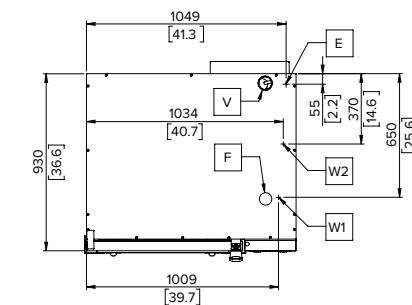
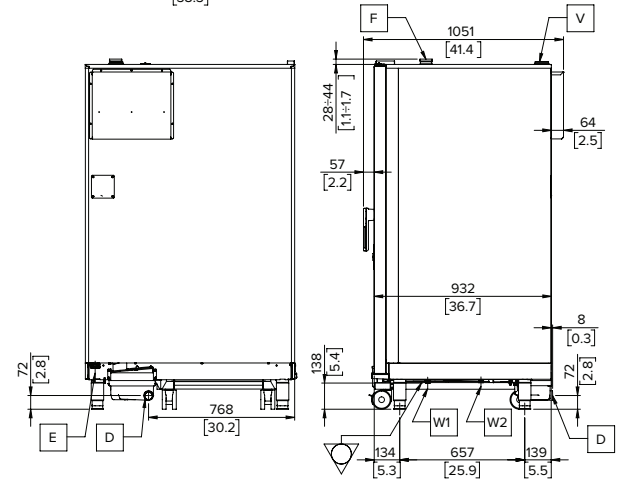
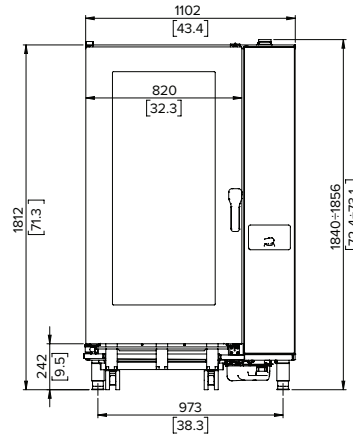
Water quality

Total Water hardness	60-90ppm
pH	>7.5
Cl (chloride)	max. 30 mg/l
Cl2 (free chlorine)	max. 0.1 mg/l
Fe (Iron)	max. 0.1 mg/l
NH2Cl (monochloramine)	0.2 mg/l
Cold water temperature	max. 30°C
Softener water temperature	max. 50°C
Electrical conductivity	50 – 200 µS/cm

*(*Water treatment may be required. Please refer to installation manual.)*

Emissions

Latent heat	13176W
Sensible heat	8784W
Waste water max discharge temperature	138°C
Noise during operation	<50 dBA



D	Ø50 [2]
G	-
S1	-
S2	-
S3	-
S4	-
V	Ø72 [2.9]
W1	G 3/4"
W2	G 3/4"

Dimensions: Millimeters [inches]