

# Technical data sheet for ELECTRIC COOKTOPS 900mm - SEALED HOBS

E516S-B. E516S-LS. E516S-CB. E516S-RB



E516S-LS

## SPECIFICATIONS

### Cooktop

2.6 kW Cast Iron Hot Plate elements

### Electrical requirements

E516S  
15.6 kW, 400-415Vac, 50/60hz,  
3P+N+E, 22A

### Refrigerated Base

Type Ventilated system  
Refrigerant R134a (160grams)  
Climate classification T - tropical

### Electrical connection

220-240Vac, 50Hz, 1.8A, 1P+N+E  
3 pin plug 10A cordset fitted

### Dimensions

#### Bench models

Width 900mm  
Depth 812mm  
Height 315mm  
Incl. splashback 485mm

#### All models (excluding Bench model)

Width 900mm  
Depth 812mm  
Height 915mm  
Incl. splashback 1085mm

### Nett weight

Bench and Leg Stand models

90kg

Cabinet Base and Refrigerated

Base models

130kg

### Packing data

Bench and Leg Stand models

0.55m<sup>3</sup>, 135kg

Width 945mm

Depth 870mm

Height 665mm

Cabinet Base and Refrigerated

Base models

1.03m<sup>3</sup>, 195kg

Width 945mm

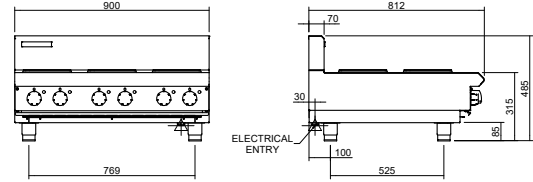
Depth 870mm

Height 1255mm

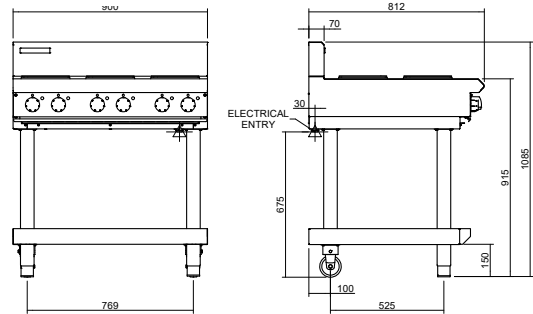
### Options

Adjustable feet at rear

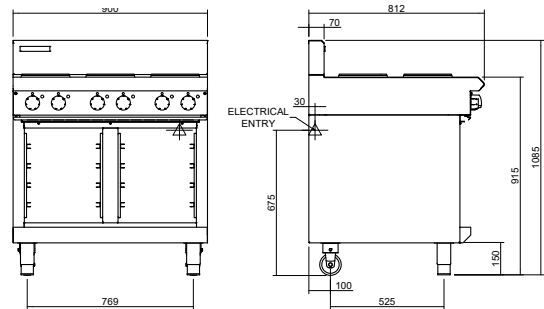
E516-B



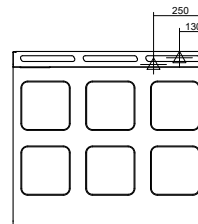
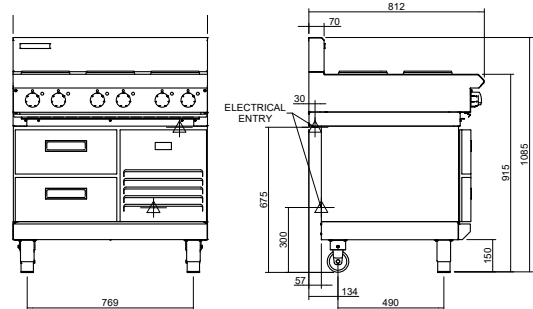
E516-LS



E516-CB



E516-RB



Australia [moffat.com.au](http://moffat.com.au)

New Zealand [moffat.co.nz](http://moffat.co.nz)

In line with policy to continually develop and improve its products, Moffat Limited reserves the right to change specifications and design without notice.



ISO9001  
Quality  
Management  
Standard

an Ali Group Company



The Spirit of Excellence