

Technical data sheet for

Blue Seal Electric Combi Steamer

SAPIENS BOOSTED E6BSD 6 x 1/1 GN



Dimensions

Width 852mm
 Depth 797mm
 Height 775mm
 Weight 110kg

Packed dimensions

Width 990mm
 Depth 940mm
 Height 980mm
 Weight 134.1kg

Shelves

1/1 GN 6
 Shelf Spacings 70mm

Installation requirements

(for precise installation instructions, please refer to the unit's installation manual).

Power connection requirements

Multi pole circuit breaker and all pole disconnection isolator switch installed near the appliance.

Supply line voltage

400-415V ~ 50Hz, 3P+N+E
 Special voltage options available on request.

Power connection

Total (kW) 11.6
 Convection power (kW) 11
 Rated Current (A) (400V) 18

Installation clearances

- Rear 50mm
 - Right 500mm
 - Left 50mm

*Clearance required on fixed installations for service accessibility.

If heat sources are located near the RH side of the Sapiens combi, ensure that a minimum distance of 400mm is maintained.

Install in accordance with local body regulations only on horizontal surfaces and not against combustible walls.

Water connection requirements

- Cold water
- Flow pressure (200-500kPa)
- Min. Water Flow 10 l/min
- Soft water connection*
- Shut-off valve with return flow inhibitor and dirt filter
- Water supply R3/4
- R50 waste water connection

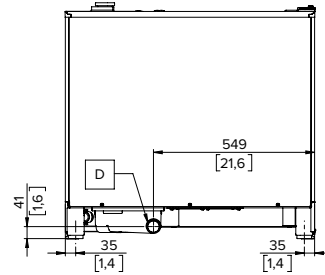
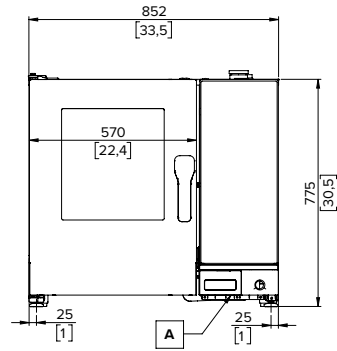
Water quality

Total Water hardness 60-90ppm
 pH >7.5
 Cl (chloride) max. 30 mg/l
 Cl2 (free chlorine) max. 0.1 mg/l
 Fe (Iron) max. 0.1 mg/l
 NH2Cl (monochloramine) 0.2 mg/l
 Cold water temperature max. 30°C
 Soften water temperature max. 50°C
 Electrical conductivity 50 – 200 µS/cm

(*Water treatment may be required. Please refer to installation manual.)

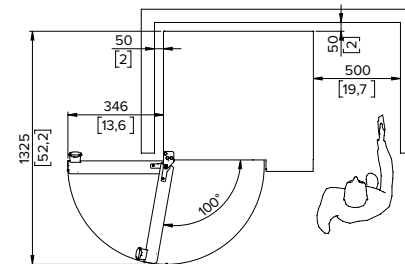
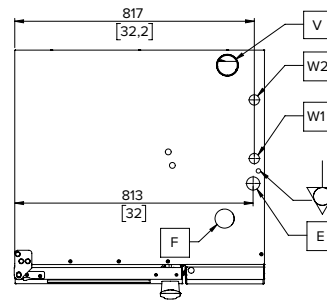
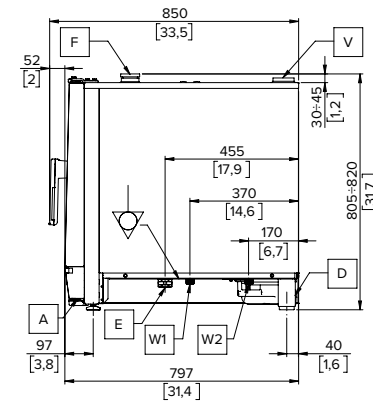
Emissions

Latent heat 2088W
 Sensible heat 1392W
 Waste water max discharge temperature 100°C
 Noise during operation <50 dBA



D	Ø50 [2]
G	-
S1	-
S2	-
S3	-
S4	-
V	Ø72 [2,9]
W1	G 3/4"
W2	G 3/4"

Dimensions: Millimeters [inches]



Australia moffat.com.au

New Zealand moffat.co.nz

In line with policy to continually develop and improve its products, Moffat Limited reserves the right to change specifications and design without notice.

an Ali Group Company



The Spirit of Excellence