

Technical data sheet for Gas Griddle 450mm

GPLB8450G-B, GPLB8450G-LS, GPLB8450G-CD



GPLB8450G-CD

SPECIFICATIONS

Burner

3 bar chromed steel burner with pilot, flame failure and piezo ignition

Gas power (gross)

40MJ/hr, 11.1kW

Plate

Cooking surface 442mm x 530mm, 2343cm²

Gas connection

R 3/4 (BSP) male
130mm from RH side, 35mm from rear, and 655mm from floor
All units supplied with Natural and LP gas regulator

Dimensions

Bench models

Width 450mm
Depth 805mm
Height 315mm
Incl. low back 370mm
Incl. splashback option 530mm

All models (excluding Bench model)

Width 450mm
Depth 805mm
Height 915mm
Incl. low back 970mm
Incl. splashback option 1130mm

Nett weight

Bench models

77kg

Cabinet Base Leg Stand models

90kg

Packing data

Bench model

0.29m³, 111kg

Width 870mm

Depth 495mm

Height 665mm

All models (excluding Bench model)

0.54m³, 130kg

Width 870mm

Depth 495mm

Height 1255mm

Gas types

Available in Natural gas and LP gas
Please specify when ordering
Units supplied complete with gas type conversion kits
Other gas types on request

OPTIONS AT EXTRA COST

Joining caps

Castors

Plinth mounting

Full width ribbed plate option

Full width mirror chromed plate option

Series Options

GPLB - Low back models

GPB - 215mm splashback option



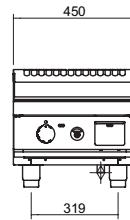
Australia moffat.com.au

New Zealand moffat.co.nz

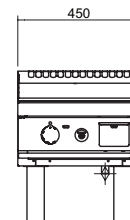
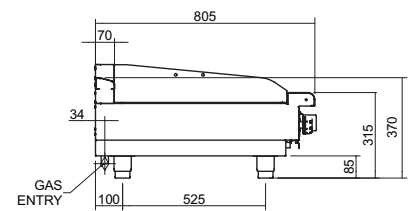
In line with policy to continually develop and improve its products, Moffat Limited reserves the right to change specifications and design without notice.



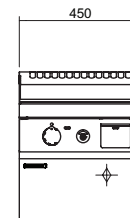
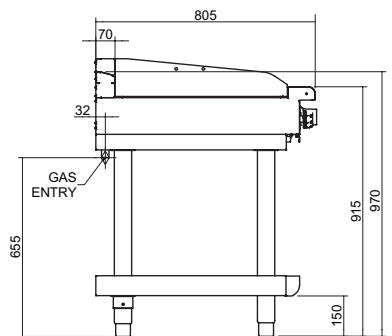
ISO9001
Quality
Management
Standard



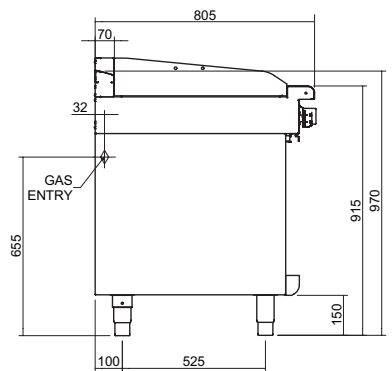
GPLB8450G-B



GPLB8450G-LS



GPLB8450G-CD



GPLB8450G