

Technical data sheet for INDUCTION COOKTOP 450mm

- FULL AREA INDUCTION ZONE

IN8200F-B, IN8200F-LS, IN8200F-CB



IN8200F-LS

SPECIFICATIONS

Cooktop

2 x 5.0kW full area induction zones
270mm square induction zones

Electrical requirements

IN8200F
10kW, 400-415V, 50/60Hz, 3P+E
14A / phase

Dimensions

Bench model

Width 450mm
Depth 805mm
Height 355mm
Incl. splashback 570mm
Incl. low back 410mm

All models (excluding Bench model)

Width 450mm
Depth 805mm
Height 915mm
Incl. splashback 1130mm
Incl. low back 970mm

Nett weight

88kg

Packing data

0.54m³, 130kg
Width 495mm
Depth 865mm
Height 1255mm

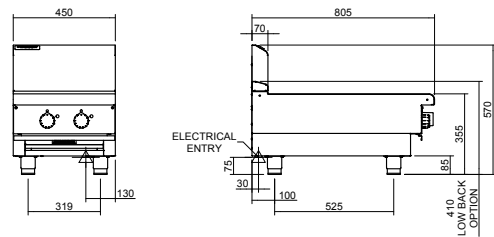
Options at extra cost

Castors
Plinth mounting

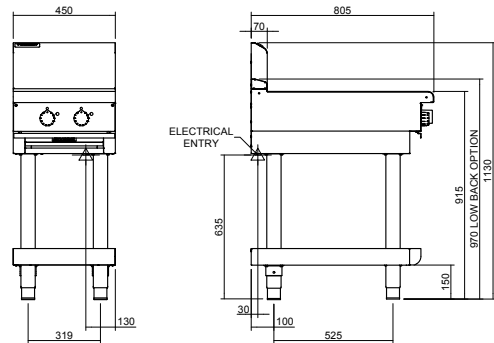
Series Options

- IN - Standard splashback models
- INL - Low back models
- INB - Bold vitreous enamel colour front finish on standard splashback models
- INLB - Bold vitreous enamel colour front finish on low back models

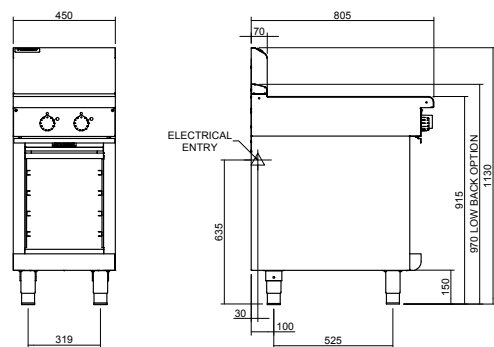
IN8200-B Bench Model



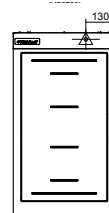
IN8200-LS Leg Stand



IN8200-CB Cabinet Base



IN8200F



Australia moffat.com.au

New Zealand moffat.co.nz

In line with policy to continually develop and improve its products, Moffat Limited reserves the right to change specifications and design without notice.



ISO9001
Quality
Management
Standard

an Ali Group Company



The Spirit of Excellence