

Technical data sheet for

INDUCTION COOKTOP 450mm

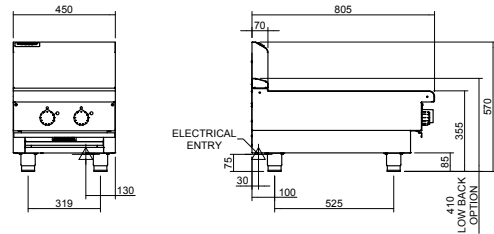
- ROUND INDUCTION ZONE

IN8200R3-B, IN8200R3-LS, IN8200R3-CB, IN8200R5-B, IN8200R5-LS, IN8200R5-CB

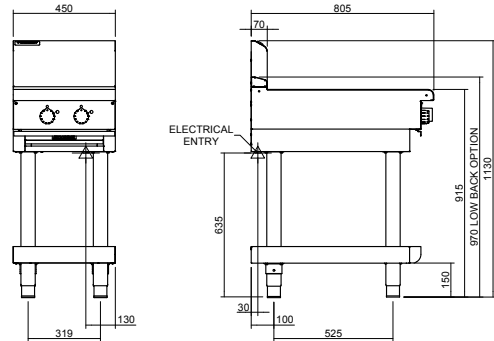


IN8200R5-LS

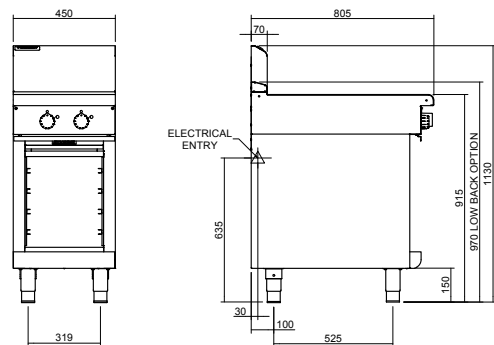
IN8200-B Bench Model



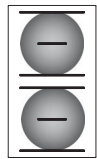
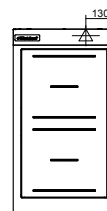
IN8200-LS Leg Stand



IN8200-CB Cabinet Base



IN8200R3 / IN8200R5



SPECIFICATIONS

Cooktop

2 x 3.5kW induction zones
or
2 x 5.0kW induction zones
Ø 270mm induction zones

Electrical requirements

IN8200R3
7.0kW, 400-415V, 50/60Hz, 3P+E
10A / phase
IN8200R5
10kW, 400-415V, 50/60Hz, 3P+E
14A / phase

Dimensions

Bench model
Width 450mm
Depth 805mm
Height 355mm
Incl. splashback 570mm
Incl. low back 410mm
All models (excluding Bench model)
Width 450mm
Depth 805mm
Height 915mm
Incl. splashback 1130mm
Incl. low back 970mm

Nett weight

88kg

Packing data

0.54m³, 130kg
Width 495mm
Depth 865mm
Height 1255mm

Options at extra cost

Castors
Plinth mounting

Induction Zone Options

R3 - 3.5kW round induction
R5 - 5kW round induction

Series Options

IN - Standard splashback models
INL - Low back models
INB - Bold vitreous enamel colour front finish on standard splashback models
INLB - Bold vitreous enamel colour front finish on low back models



Australia moffat.com.au

New Zealand moffat.co.nz

In line with policy to continually develop and improve its products, Moffat Limited reserves the right to change specifications and design without notice.



ISO9001
Quality
Management
Standard

an Ali Group Company



The Spirit of Excellence