

# Technical data sheet for Induction Cooktop 450mm

- FULL AREA INDUCTION ZONE

INLB8100F-B, INLB8100F-LS, INLB8100F-CD



INLB8100F-CD

## SPECIFICATIONS

### Cooktop

1 x 5.0kW full area induction zone  
270mm square induction zone

### Electrical requirements

INLB8100F

5.0kW, 400-415V, 50/60Hz, 3P+E  
7A / phase

### Dimensions

#### Bench model

Width 450mm  
Depth 805mm  
Height 355mm  
Incl. splashback 570mm  
Incl. low back 410mm

#### All models (excluding Bench model)

Width 450mm  
Depth 805mm  
Height 915mm  
Incl. splashback 1130mm  
Incl. low back 970mm

### Nett weight

88kg

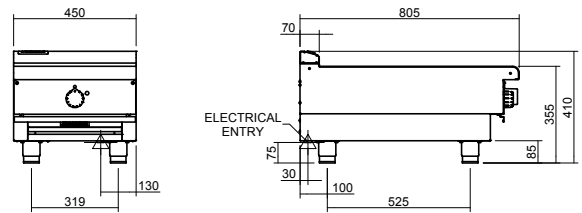
### Packing data

0.54m<sup>3</sup>, 130kg  
Width 495mm  
Depth 865mm  
Height 1255mm

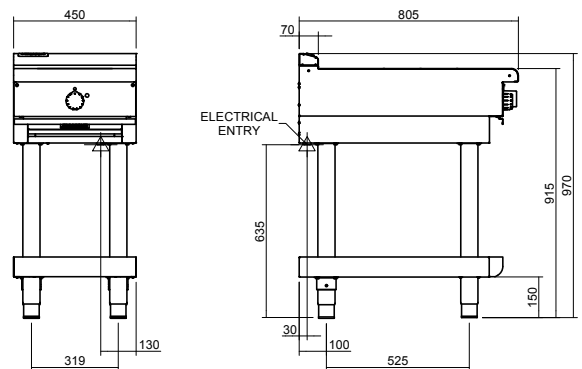
### OPTIONS AT EXTRA COST

Castors  
Plinth mounting

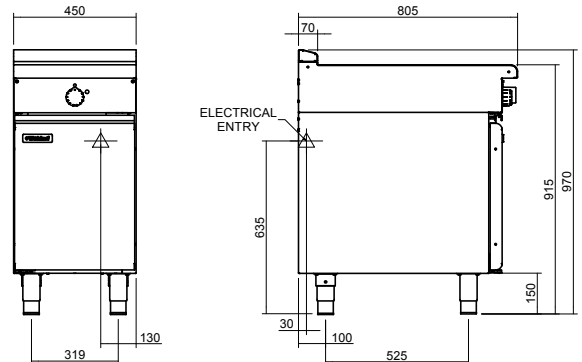
INLB8100F-B



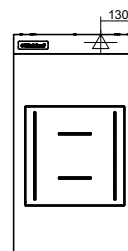
INLB8100F-LS



INLB8100F-CD



INLB8100F



## Series Options

- INLB - Low back models
- INB - 215mm splashback option



Australia [moffat.com.au](http://moffat.com.au)

New Zealand [moffat.co.nz](http://moffat.co.nz)

In line with policy to continually develop and improve its products, Moffat Limited reserves the right to change specifications and design without notice.



ISO9001  
Quality  
Management  
Standard