

# Technical data sheet for Induction Cooktop 450mm - ROUND INDUCTION ZONE

INLB8100R3-B, INLB8100R3-LS, INLB8100R3-CD, INLB8100R5-B, INLB8100R5-LS, INLB8100R5-CD



INLB8100R5-CD

## SPECIFICATIONS

### Cooktop

1 x 3.5kW induction zone  
or  
1 x 5kW induction zone  
Ø 270mm induction zone

### Electrical requirements

**INLB8100R3**  
3.5kW, 230-240V, 50/60Hz, 1P+N+E  
15A / phase  
**INLB8100R5**  
5.0kW, 400-415V, 50/60Hz, 3P+E  
7A / phase

### Dimensions

#### Bench model

Width 450mm  
Depth 805mm  
Height 355mm  
Incl. splashback 570mm  
Incl. low back 410mm

#### All models (excluding Bench model)

Width 450mm  
Depth 805mm  
Height 915mm  
Incl. splashback 1130mm  
Incl. low back 970mm

### Nett weight

88kg

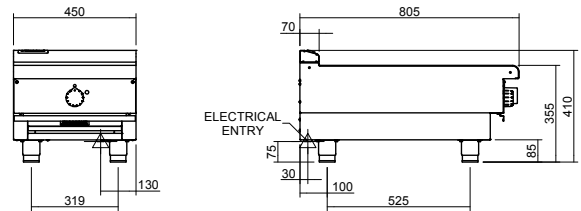
### Packing data

0.54m<sup>3</sup>, 130kg  
Width 495mm  
Depth 865mm  
Height 1255mm

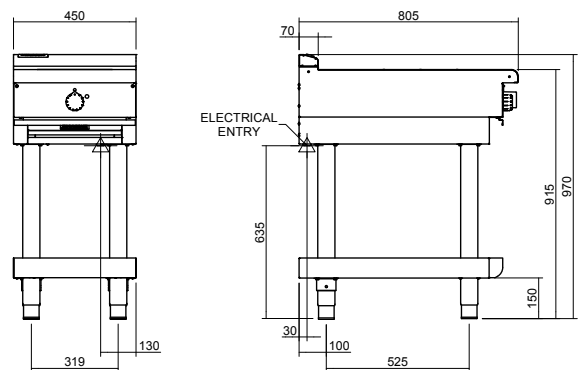
### OPTIONS AT EXTRA COST

Castors  
Plinth mounting

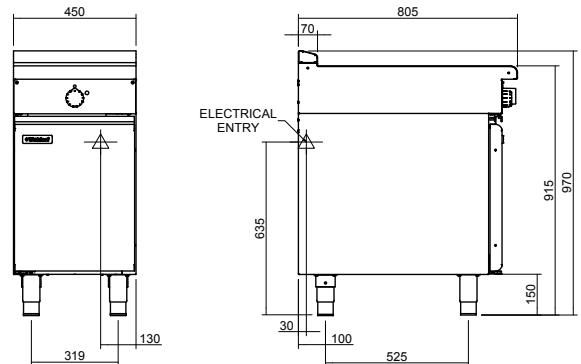
INLB8100-B



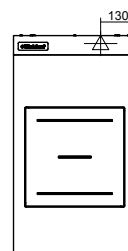
INLB8100-LS



INLB8100-CD



INLB8100R3 / INLB8100R5



### Induction Zone Options

R3 - 3.5kW round induction  
R5 - 5kW round induction

### Series Options

INLB - Low back models  
INB - 215mm splashback option



Australia [moffat.com.au](http://moffat.com.au)

New Zealand [moffat.co.nz](http://moffat.co.nz)

In line with policy to continually develop and improve its products, Moffat Limited reserves the right to change specifications and design without notice.



ISO9001  
Quality  
Management  
Standard

an Ali Group Company



The Spirit of Excellence