

Technical data sheet for Induction Cooktop 450mm - ROUND INDUCTION ZONE

INLB8200R3-B, INLB8200R3-LS, INLB8200R3-CD, INLB8200R5-B, INLB8200R5-LS, INLB8200R5-CD



INLB8200R5-CD

SPECIFICATIONS

Cooktop

2 x 3.5kW induction zones
or
2 x 5kW induction zones
Ø 270mm induction zones

Electrical requirements

INLB8200R3

7.0kW, 400-415V, 50/60Hz, 3P+E
10A / phase

INLB8200R5

10kW, 400-415V, 50/60Hz, 3P+E
14A / phase

Dimensions

Bench model

Width 450mm
Depth 805mm
Height 355mm
Incl. splashback 570mm
Incl. low back 410mm

All models (excluding Bench model)

Width 450mm
Depth 805mm
Height 915mm
Incl. splashback 1130mm
Incl. low back 970mm

Induction Zone Options

R3 - 3.5kW round induction
R5 - 5kW round induction

Series Options

INLB - Low back models
INB - 215mm splashback option



Australia moffat.com.au

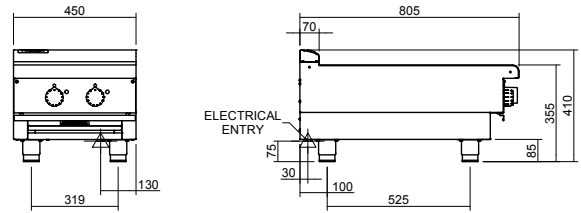
New Zealand moffat.co.nz

In line with policy to continually develop and improve its products, Moffat Limited reserves the right to change specifications and design without notice.

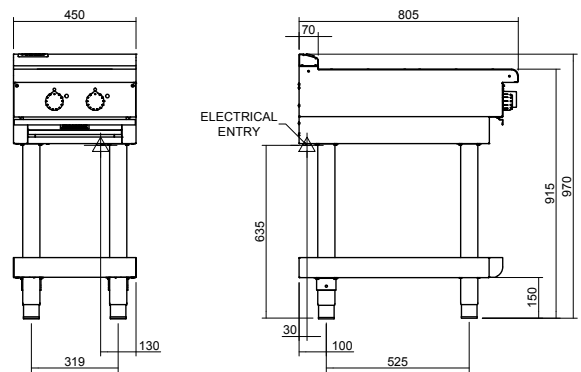


ISO9001
Quality
Management
Standard

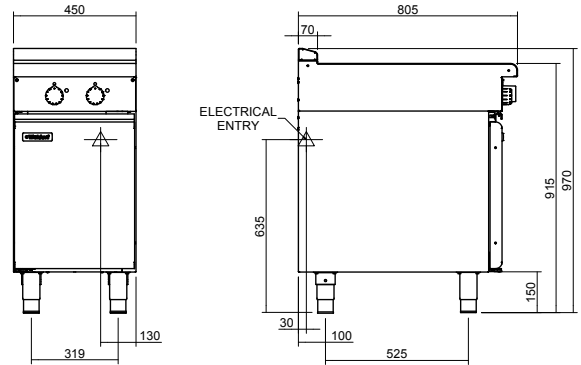
INLB8200-B



INLB8200-LS



INLB8200-CD



INLB8200R3 / INLB8200R5

