

Technical data sheet for
Icematic Ice Maker - Self Contained
C90A ICE CUBES 35mm x 37mm x H 32mm, 20g

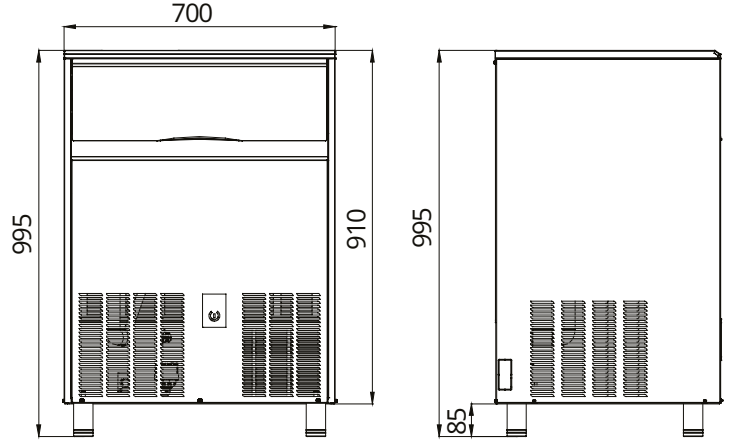


C90A

C90A

Front View

Lateral View



SPECIFICATIONS

Dimensions

Width: 700mm
 Depth: 580mm
 Height: 995mm

Nett weight

54kg

Packed weight

63kg

Ice cube production dimension

35mm x 37mm x H 32mm, 20g

Water consumption

Air cooled condensing unit: 9.07 litres per hour

Electrical rating

Air cooled version: 220-240V,1P+N+E, 50Hz

Compressor power rating: 1065W

Total absorbed power: 670W,

10A cordset fitted

Refrigerant type

R290

Installation distance from wall

Rear 150mm

Right 50mm

Left 150mm

Placement of unit should be indoors in an environment that does not exceed the air and water temperature limitations of the unit

Water connection requirements

Inlet connection: R 3/4"

Cold water (5-35°C)

Pressure (1-5 bar)

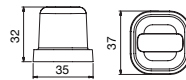
Water outlet connection: Ø 20mm

Note: 3m radius to any source of flame, combustion material or explosive material and ensure sufficient air circulation.

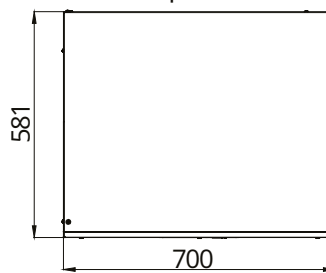


New Zealand moffat.co.nz

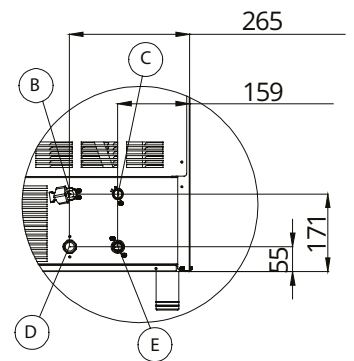
In line with policy to continually develop and improve its products, Moffat Limited reserves the right to change specifications and design without notice.



Top View



Kit 4 Feet Optional
 Ø 50 H 100-120



Ice production per 24 hours
 Water temperature

Ambient temperature	°C	32°	21°	15°	10°	
10°	79	82	84	86	kg	
21°	74	77	79	81	kg	
32°	62	65	67	68	kg	
38°	51	54	56	58	kg	

- B. Electrical cable supply
- C. Water outlet connection Ø 20mm
- D. Water outlet connection water condensation Ø 20mm
- E. Water inlet connection - 3/4" gas