

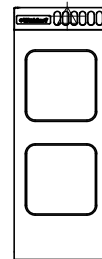
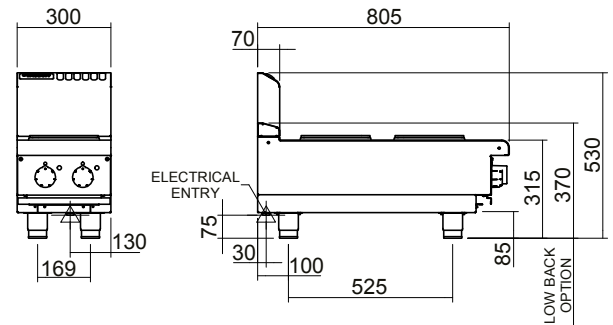
Technical data sheet for
ELECTRIC COOKTOPS 300mm
SEALED HOBS

RN8200SE-B

RN8200SE-B Bench Model



RN8200SEB



SPECIFICATIONS

Cooktop

2.6 kW Cast Iron Hot Plate elements

Electrical requirements

RN8200SE

5.2 kW, 230-240Vac, 50/60Hz,
1P+N+E, 22A

Electrical connection

130mm from RH side, 30mm from
rear,
and 70mm from bench

Dimensions

Width 300mm

Depth 805mm

Height 315mm

Incl. splashback 530mm

Incl. low back 370mm

Nett weight

32kg

Packing data

0.20m³, 55kg

Width 870mm

Depth 350mm

Height 665mm



Australia moffat.com.au

New Zealand moffat.co.nz

In line with policy to continually develop and improve
its products, Moffat Limited reserves the right to
change specifications and design without notice.



ISO9001
Quality
Management
Standard

an Ali Group Company



The Spirit of Excellence