

Technical data sheet for

ELECTRIC RANGE STATIC OVEN 900mm SEALED HOBS

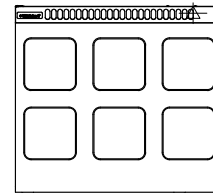
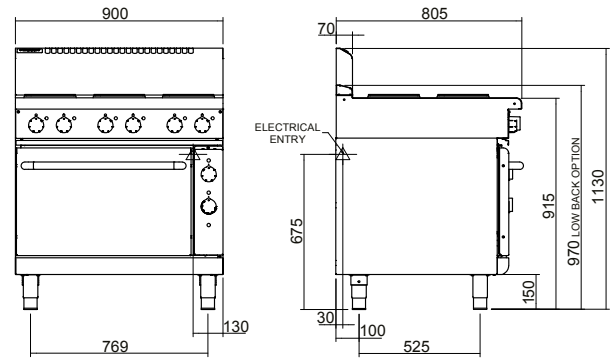
Waldorf
800 SERIES

RN8610SE



RN8610SE

RN8610SE



SPECIFICATIONS

Cooktop

2.6 kW Cast Iron Hot Plate elements

Oven

4.5kW bottom heat element
2.0kW top heat element

Electrical requirements

RN8610SEC

22.1 kW max.

400-415Vac, 50/60Hz, 3P+N+E

L1 31.0A max.

L2 31.0A max.

L3 30.0A max.

Oven Dimensions

Width 665mm

Depth 650mm

Height 400mm

Rack size 650mm x 600mm

Rack positions 4

Electrical connection

130mm from RH side, 30mm from rear,

and 675mm from floor

Dimensions

Width 900mm

Depth 805mm

Height 915mm

Incl. splashback 1130mm

Incl. low back 970mm

Nett weight

195kg

Packing data

1.03m³, 260kg

Width 945mm

Depth 870mm

Height 1255mm

Options at extra cost

Joining caps

Castors

Plinth mounting

MOFFAT

Australia moffat.com.au

New Zealand moffat.co.nz

In line with policy to continually develop and improve its products, Moffat Limited reserves the right to change specifications and design without notice.



ISO9001
Quality
Management
Standard

an Ali Group Company



The Spirit of Excellence