

Technical data sheet for

Target Top 900mm

RNLB8100G-B, RNLB8100G-LS, RNLB8100G-CD, RNLB8100G-RB



RNLB8900G-CD

SPECIFICATIONS

Target Top

Burner: Dual ring cast iron burner

Gas power (gross)

45MJ/hr, 12.5kW

Top Plate

Cooking surface 900mm x 625mm, 5625cm²

Centre 280mm diameter

Maximum plate temperature at centre 500°C

Gas connection

R 3/4 (BSP) male

130mm from RH side, 32mm from rear, and 655mm from floor

All units supplied with Natural and LP gas regulator

Refrigerated base

Type Ventilated system

Refrigerant R134a (160grams)

Climate classification T – tropical

Electrical connection

220-240Vac, 50Hz, 1.8A, 1P+N+E

3 pin 10A plug cordset fitted

Dimensions

Bench models

Width 900mm

Depth 805mm

Height 315mm

Incl. splashback 530mm

Incl. low back 370mm

Series Options

RNLB - Low back models

RNB - 215mm splashback option

All models (excluding Bench model)

Width 900mm

Depth 805mm

Height 915mm

Incl. low back 970mm

Incl. splashback option 1130mm

Nett weight

Bench and Leg Stand models

178kg

Cabinet Base and Refrigerated Base models

222kg

Packing data

Bench and Leg Stand models

0.55m³, 223kg

Width 945mm

Depth 870mm

Height 665mm

Cabinet Base and Refrigerated Base models

1.03m³, 287kg

Width 945mm

Depth 870mm

Height 1255mm

Gas types

Available in Natural gas and LP gas

Please specify when ordering

Units supplied complete with gas

type conversion kits

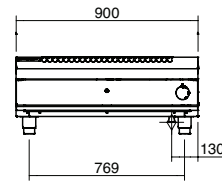
Other gas types on request

OPTIONS AT EXTRA COST

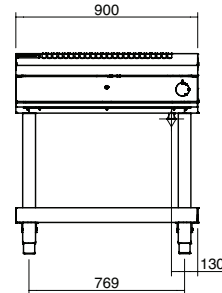
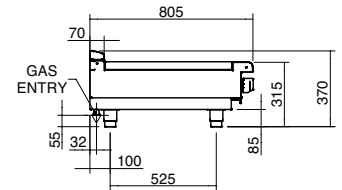
Joining caps

Castors

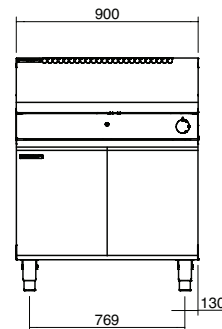
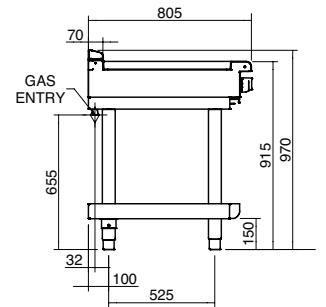
Plinth mounting



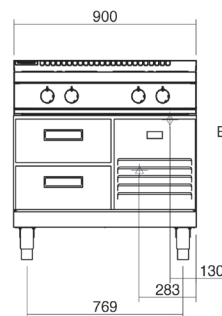
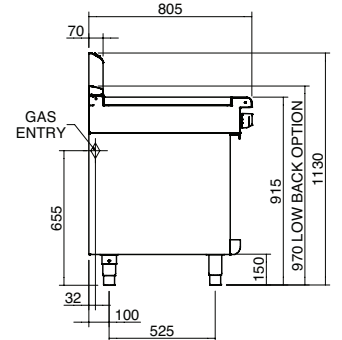
RNLB8100G-B



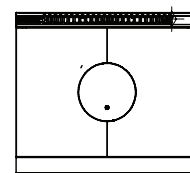
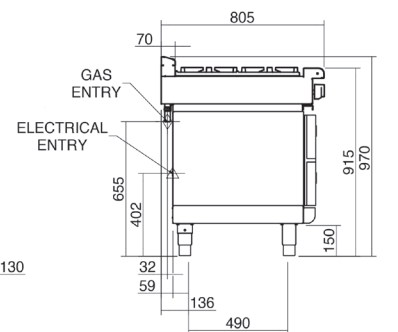
RNLB8100G-LS



RNLB8100G-CD



RNLB8100G-RB



RNLB8100G



Australia moffat.com.au

New Zealand moffat.co.nz

In line with policy to continually develop and improve its products, Moffat Limited reserves the right to change specifications and design without notice.



ISO9001
Quality
Management
Standard

an Ali Group Company



The Spirit of Excellence