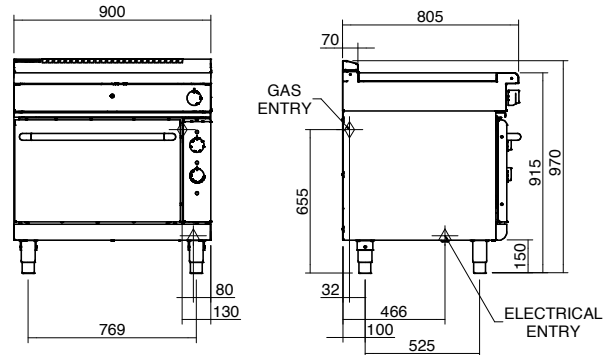


Technical data sheet for

Target Top Gas / Electric Static Convection Oven Range **900mm** RNLB8110GEC



RNLB8110GEC



RNLB8110GEC

SPECIFICATIONS

Burners

45MJ dual ring cast iron - Target Top

Oven Elements

4.5kW bottom heat element

2.0kW top heat element

Oven Fan Motor

100W

Gas power (gross)

45MJ/hr, 16.2kW

Electrical requirements

6.5kW

1 phase connection:

230-240Vac, 50/60hz, 1P+N+E, 27A

3 phase connection:

400-415Vac, 50/60hz, 3P+N+E

L1 9.4A

L2 9.4A

L3 9.0A

Target Top

Cooking surface 900mm x 625mm, 5625cm²

Centre 280mm diameter

Maximum plate temperature at centre 500°C

Oven Dimensions

Width 665mm

Depth 590mm

Height 385mm

Rack size 660mm x 540mm

Rack positions 4

Series Options

RNLB - Low back models

RNB - 215mm splashback option

Gas connection

R ¾ (BSP) male

130mm from RH side, 32mm from rear, and 655mm from floor

Optional underside connection (refer specification drawing)

All units supplied with Natural and LP gas regulator

Electrical connection

25mm from RH side, 484mm from rear, and 150mm from floor

Dimensions

Width 900mm

Depth 805mm

Height 915mm

Incl. low back 970mm

Incl. splashback option 1130mm

Nett weight

275kg

Packing data

1.03m³, 340kg

Width 945mm

Depth 870mm

Height 1255mm

Gas types

Available in Natural gas and LP gas

Please specify when ordering

Units supplied complete with gas type conversion kits

Other gas types on request

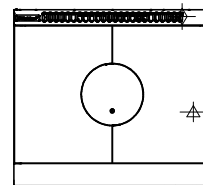
Other gas types on request

OPTIONS AT EXTRA COST

Joining caps

Castors

Plinth mounting



Australia moffat.com.au

New Zealand moffat.co.nz

In line with policy to continually develop and improve its products, Moffat Limited reserves the right to change specifications and design without notice.



ISO9001
Quality
Management
Standard

an Ali Group Company



The Spirit of Excellence