

# Technical data sheet for Gas Cooktops 450mm

RNLB8450G-LS, RNLB8450G-CD



RNLB8450G-CD

## SPECIFICATIONS

### Burners

28MJ/hr dual flame ring with simmer rate

### Gas power (gross)

56MJ/hr, 15.5kW

Gas connection

R ¾ (BSP) male

Optional underside connection, please specify when ordering

All units supplied with Natural and LP gas regulator

### Dimensions

#### All models

Width 450mm

Depth 805mm

Height 915mm

Incl. low back 970mm

Incl. splashback option 1130mm

### Nett weight

Leg Stand model

00kg nett

Cabinet Base model

00kg nett

### Packing data

Leg Stand model

0.29m<sup>3</sup>, 120kg

Width 490mm

Depth 870mm

Height 665mm

Cabinet Base model

0.54m<sup>3</sup>, 108kg

Width 490mm

Depth 870mm

Height 1255mm

### Gas types

Available in Natural gas and LP gas

Please specify when ordering

Units supplied complete with gas type conversion kits

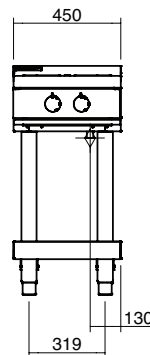
Other gas types on request

### OPTIONS AT EXTRA COST

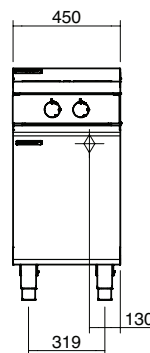
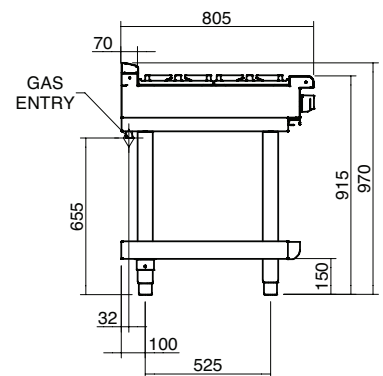
Joining caps

Castors

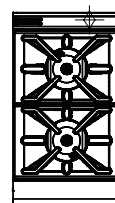
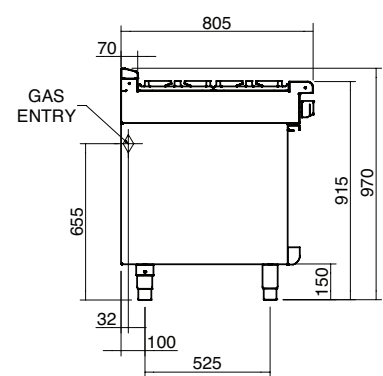
Plinth mounting



RNLB8450G-LS



RNLB8450G-CD



RNLB8450G

## Series Options

RNLB - Low back models

RNB - 215mm splashback option



Australia [moffat.com.au](http://moffat.com.au)

New Zealand [moffat.co.nz](http://moffat.co.nz)

In line with policy to continually develop and improve its products, Moffat Limited reserves the right to change specifications and design without notice.



ISO9001  
Quality  
Management  
Standard

an Ali Group Company



The Spirit of Excellence