

Single Pan Electric Multi Pan

JUMP 101P - 100 LITRE



- 100 litre single pan capacity
- 2 x 1/1 GN pan size
- 43dm² cooking surface
- 280mm depth pan
- Pressurised version for faster cooking results
- Multi pan for cooking, frying, braising, grilling, searing, broiling and sous-vide cooking
- Automatic basket lifting
- Automatic water filling system with accuracy of 1 decilitre
- Electromechanical tray tilting at variable speed
- 12" colour touch screen with intuitive controls
- Automatic and manual meal preparation mode with memory for 800 programs with 12 steps
- Multipoint core temperature probe
- Integrated retractable hand shower

Dimensions

Width	1293 mm
Depth	950 mm
Height	1050 mm

Capacity

100 litre

Nett weight

524kg

Packing data

550kg	
Width	1415 mm
Depth	1010 mm
Height	1150 mm

Electrical rating

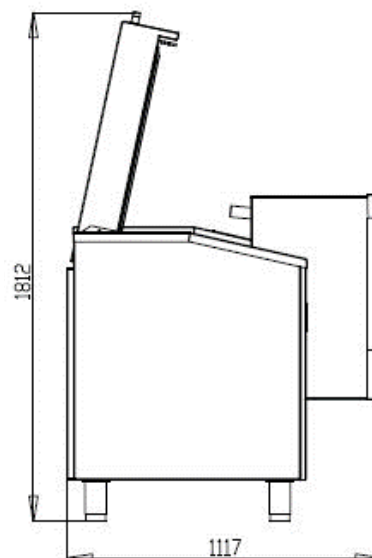
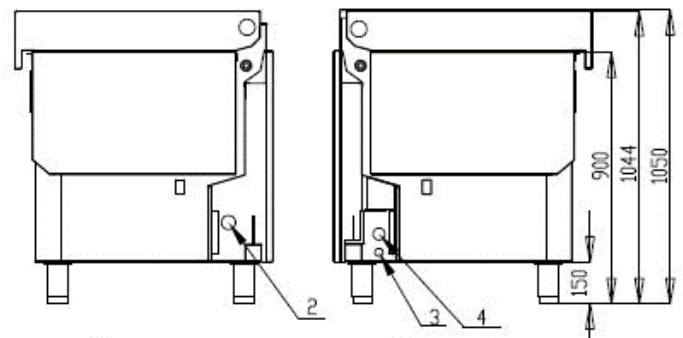
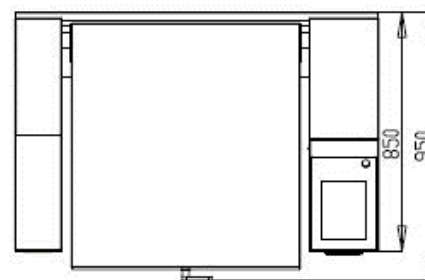
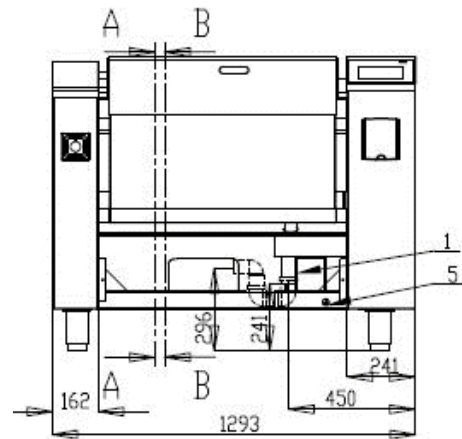
415V, 3P+N+E, 50Hz, 32A
 Energy consumption: 25.4kW
 Pressure: 0.48 bar

Water connection requirements

Inlet connection: R 3/4
 Water outlet connection: Ø 50

Installation conditions

(for precise installation instructions please refer to our installation manual)



- 1 Drain DN 50
- 2 Water Inlet 3/4"
- 3 Power Connection
- 4 LAN Jack RJ 45
- 5 Equipotential Bonding



Australia moffat.com.au

New Zealand moffat.co.nz

In line with policy to continually develop and improve its products, Moffat Limited reserves the right to change specifications and design without notice.

an Ali Group Company



The Spirit of Excellence