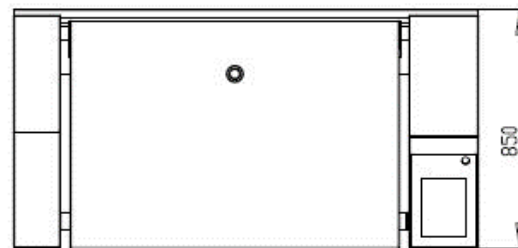
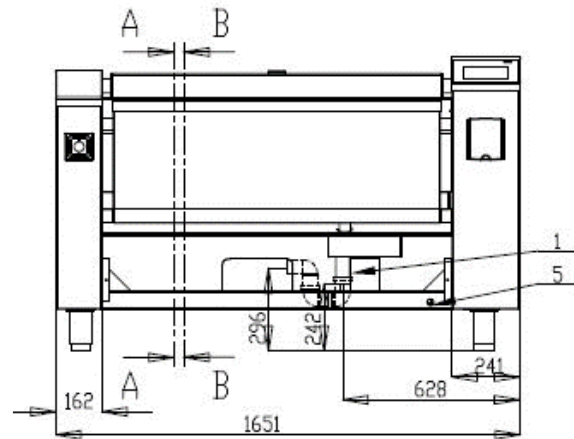


Single Pan Electric Multi Pan

JUMP 151F - 110 LITRE



- 110 litre single pan capacity
- 3 x 1/1 GN pan size
- 63dm² cooking surface
- 220mm depth pan
- Multi pan for cooking, frying, braising, grilling, searing, broiling and sous-vide cooking
- Automatic basket lifting
- Automatic water filling system with accuracy of 1 decilitre
- Electromechanical tray tilting at variable speed
- 12" colour touch screen with intuitive controls
- Automatic and manual meal preparation mode with memory for 800 programs with 12 steps
- Multipoint core temperature probe
- Integrated retractable hand shower

Dimensions

Width	1651 mm
Depth	850 mm
Height	1050 mm

Electrical rating

415V, 3P+N+E, 50Hz, 50A
Energy consumption: 38.2kW

Capacity

110 litre

Water connection requirements

Inlet connection: R 3/4
Water outlet connection: Ø 50

Nett weight

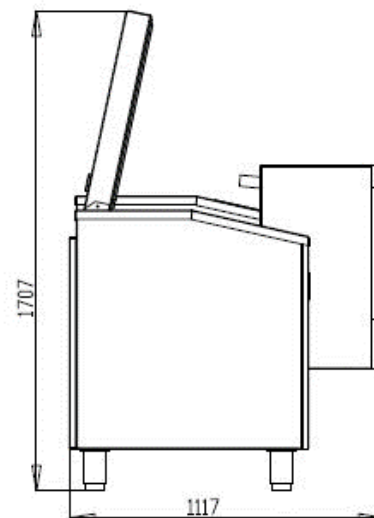
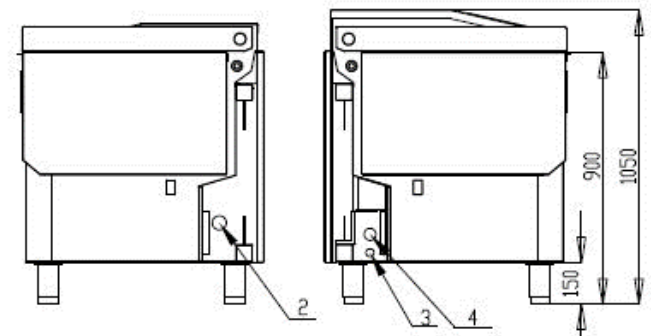
417kg

Installation conditions

(for precise installation instructions please refer to our installation manual)

Packing data

445kg	
Width	1765 mm
Depth	920 mm
Height	1145 mm



- 1 Drain DN 50
- 2 Water Inlet 3/4"
- 3 Power Connection
- 4 LAN Jack RJ 45
- 5 Equipotential Bonding



Australia moffat.com.au

New Zealand moffat.co.nz

In line with policy to continually develop and improve its products, Moffat Limited reserves the right to change specifications and design without notice.

an Ali Group Company



The Spirit of Excellence