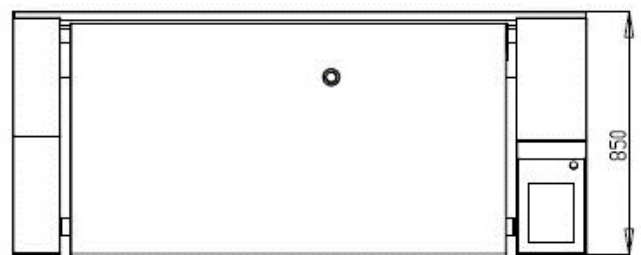
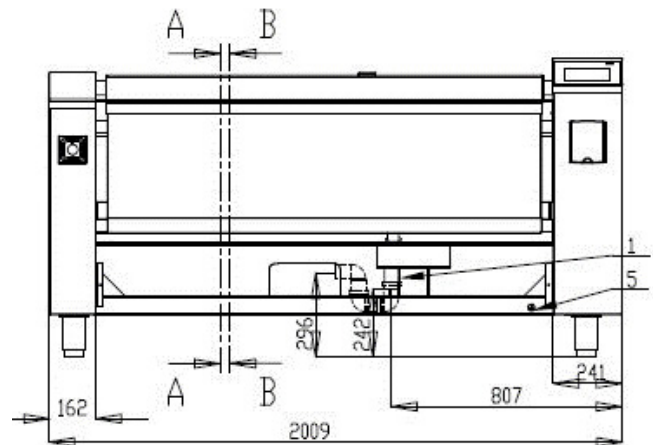


# Single Pan Electric Multi Pan

**JUMP 201F - 150 LITRE**



- 150 litre single pan capacity
- 4 x 1/1 GN pan size
- 83dm<sup>2</sup> cooking surface
- 220mm depth pan
- Multi pan for cooking, frying, braising, grilling, searing, broiling and sous-vide cooking
- Automatic basket lifting
- Automatic water filling system with accuracy of 1 decilitre
- Electromechanical tray tilting at variable speed
- 12" colour touch screen with intuitive controls
- Automatic and manual meal preparation mode with memory for 800 programs with 12 steps
- Multipoint core temperature probe
- Integrated retractable hand shower

#### Dimensions

Width 2009 mm  
 Depth 850 mm  
 Height 1050 mm

#### Capacity

150 litre

#### Nett weight

490kg

#### Packing data

525kg  
 Width 2125 mm  
 Depth 920 mm  
 Height 1145 mm

#### Electrical rating

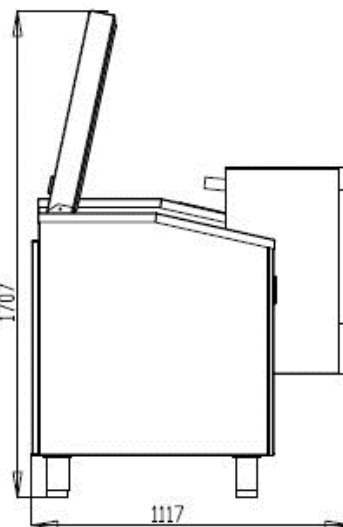
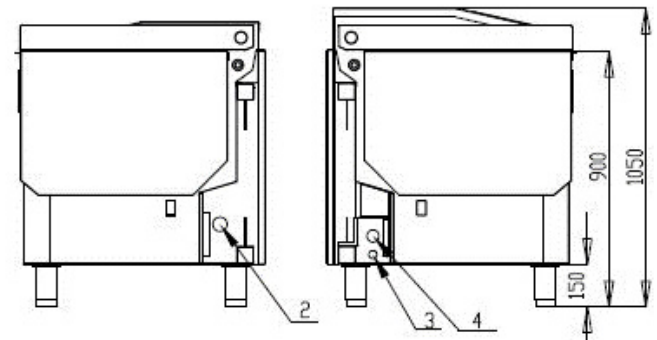
415V, 3P+N+E, 50Hz, 63A  
 Energy consumption: 50.1kW

#### Water connection requirements

Inlet connection: R ¾  
 Water outlet connection: Ø 50

#### Installation conditions

(for precise installation instructions please refer to our installation manual)



- 1 Drain DN 50
- 2 Water Inlet 3/4"
- 3 Power Connection
- 4 LAN Jack RJ 45
- 5 Equipotential Bonding



Australia [moffat.com.au](http://moffat.com.au)

New Zealand [moffat.co.nz](http://moffat.co.nz)

In line with policy to continually develop and improve its products, Moffat Limited reserves the right to change specifications and design without notice.