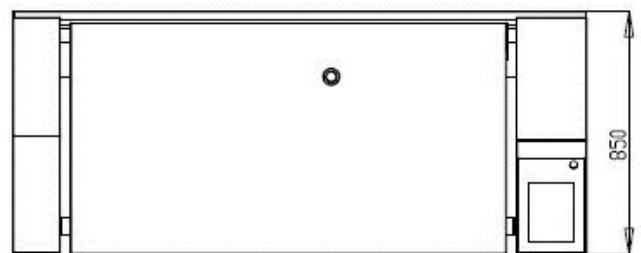
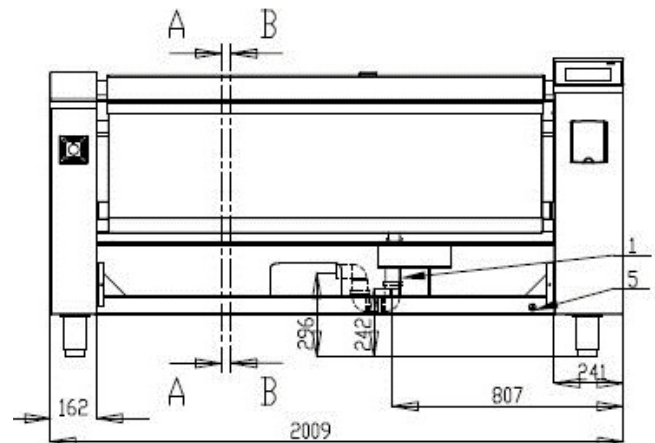


Single Pan Electric Multi Pan

JUMP 251 - 250 LITRE



- 250 litre single pan capacity
- 4 x 1/1 GN pan size
- 83dm² cooking surface
- 340mm depth pan
- Multi pan for cooking, frying, braising, grilling, searing, broiling and sous-vide cooking
- Automatic basket lifting
- Automatic water filling system with accuracy of 1 decilitre
- Electromechanical tray tilting at variable speed
- 12" colour touch screen with intuitive controls
- Automatic and manual meal preparation mode with memory for 800 programs with 12 steps
- Multipoint core temperature probe
- Integrated retractable hand shower

Dimensions

Width 2009 mm
 Depth 850 mm
 Height 1050 mm

Capacity

250 litre

Nett weight

495kg

Packing data

530kg
 Width 2125 mm
 Depth 920 mm
 Height 1145 mm

Electrical rating

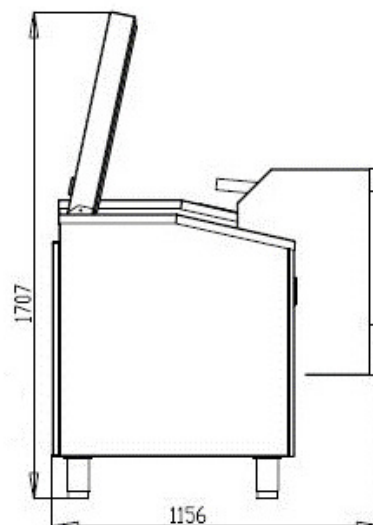
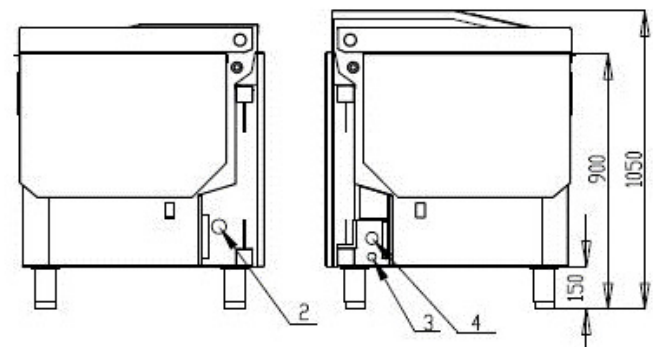
415V, 3P+N+E, 50Hz, 63A
 Energy consumption: 50.1kW

Water connection requirements

Inlet connection: R 3/4
 Water outlet connection: Ø 50

Installation conditions

(for precise installation instructions please refer to our installation manual)



- 1 Drain DN 50
- 2 Water Inlet 3/4"
- 3 Power Connection
- 4 LAN Jack RJ 45
- 5 Equipotential Bonding



Australia moffat.com.au

New Zealand moffat.co.nz

In line with policy to continually develop and improve its products, Moffat Limited reserves the right to change specifications and design without notice.

an Ali Group Company



The Spirit of Excellence