

Technical data sheet for  
**ELECTRIC SOLID TOP 900mm**

RN8104E-B, RN8104E-LS, RN8104E-CB, RN8104E-RB



RN8104E-LS

**SPECIFICATIONS**

**Cooktop**

16mm thick 16Mo3 steel hot plate  
 750mm x 520mm plate area.  
 Four 2.7kW radiant heating elements  
 under plate

**Electrical requirements**

RN8104E  
 10.8kW, 400-415Vac, 50/60hz,  
 3P+N+E, L1 22.5A, L2 13A, L3 13A

**Electrical connection**

130mm from RH side, 30mm from  
 rear  
 70mm from bench height on bench  
 models

675mm from floor on leg stand and  
 cabinet base models

**Refrigerated Base**

Type Ventilated system  
 Refrigerant R290 (80grams)  
 Climate classification T – tropical  
**Electrical connection**  
 220-240Vac, 50Hz, 1.8A, 1P+N+E  
 3 pin 10A cordset fitted

**Dimensions**

**Bench models**  
 Width 900mm  
 Depth 805mm  
 Height 315mm  
 Incl. splashback 530mm  
 Incl. low back 370mm  
**All models (excluding Bench model)**  
 Width 900mm  
 Depth 805mm  
 Height 915mm  
 Incl. splashback 1130mm  
 Incl. low back 970mm

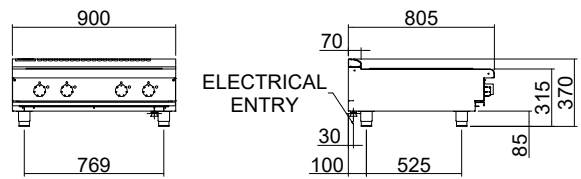
**Nett weight**

**Bench and Leg Stand models**  
 90kg  
**Cabinet Base and Refrigerated  
 Base models**  
 130kg

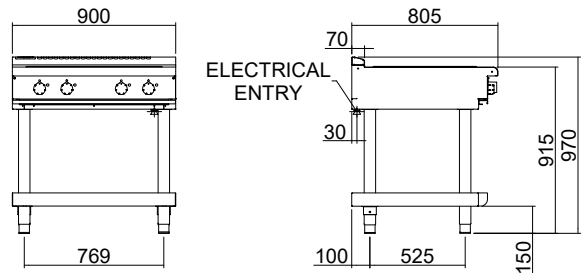
**Packing data**

**Bench and Leg Stand models**  
 0.55m<sup>3</sup>, 135kg  
 Width 945mm  
 Depth 870mm  
 Height 665mm  
**Cabinet Base models**  
 1.03m<sup>3</sup>, 195kg  
 Width 945mm  
 Depth 870mm  
 Height 1255mm

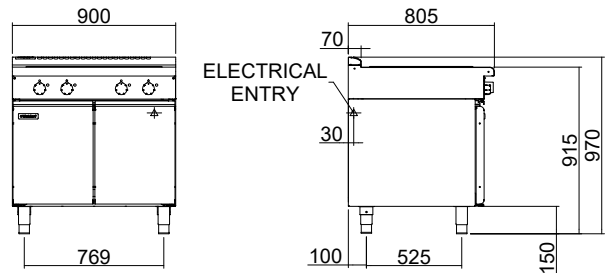
**RN8104E-B Bench Model**



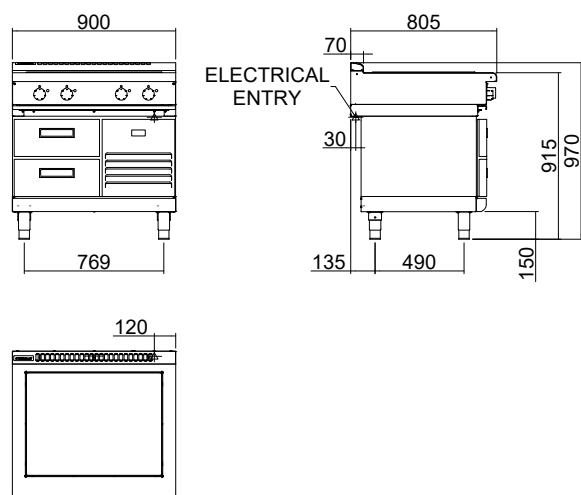
**RN8104E-LS Leg Stand**



**RN8104E-CB Cabinet Base**



**RN8104E-RB Refrigerated Base**



Australia [moffat.com.au](http://moffat.com.au)  
 New Zealand [moffat.co.nz](http://moffat.co.nz)

In line with policy to continually develop and improve  
 its products, Moffat Limited reserves the right to  
 change specifications and design without notice.



an Ali Group Company



The Spirit of Excellence