



EVOLUTIONSERIES

INSTALLATION AND OPERATION MANUAL

ELECTRIC RANGE

E506S
E56S



Date Purchased	_____
Serial Number	_____
Dealer	_____

Service Provider	_____



MANUFACTURED BY

Moffat Limited
Rolleston 7675
New Zealand

INTERNATIONAL CONTACTS

AUSTRALIA

Moffat Pty Limited

Web: www.moffat.com.au
E.Mail: vsales@moffat.com.au
Main Office: (tel) +61 (03) 9518 3888
(fax) +61 (03) 9518 3838
Service: (tel): 1800 622 216
Spares: (tel): 1800 337 963
Customer Service: (tel): 1800 335 315
(fax): 1800 350 281

CANADA

Serve Canada

Web: www.servecanada.com
E.Mail: info@servecanada.com
Sales: (tel): 800 551 8795 (Toll Free)
Service: (tel): 800 263 1455 (Toll Free)

NEW ZEALAND

Moffat Limited

Web: www.moffat.co.nz
E.Mail: sales@moffat.co.nz
Main Office: (tel): 0800 663328

UNITED KINGDOM

Blue Seal

Web: www.blue-seal.co.uk
E.Mail: sales@blue-seal.co.uk
Sales: (tel): +44 121 327 5575
(fax): +44 121 327 9711
Spares: (tel): +44 121 322 6640
(fax): +44 121 327 9201
Service: (tel): +44 121 322 6644
(fax): +44 121 327 6257

UNITED STATES

Moffat

Web: www.moffat.com
Sales: (tel): 1-800 551 8795 (Toll Free)
(tel): 336 661 1556
(fax): 336 661 9546
Service: (tel): 866 673 7937 (Toll Free)

REST OF WORLD

Moffat Limited

Web: www.moffat.co.nz
E.Mail: export@moffat.co.nz

The reproduction or copying of any part of this manual by any means whatsoever is strictly forbidden unless authorized previously in writing by the manufacturer.

In line with policy to continually develop and improve its products, Moffat Ltd. reserves the right to change the specifications and design without prior notice.

© Copyright Moffat Ltd. August 2024.

Blue Seal Electric Static / Convection Oven Ranges - 900 mm

E506S **Electric Static Oven Range.**
E56S **Electric Convection Oven Range.**

Introduction	2
Specifications	3
Model Numbers Covered in this Specification	
General	
Electrical Supply Requirements	
Electrical Connection	
Dimensions	
Installation	5
Installation Requirements	
Unpacking	
Location	
Clearances	
Assembly	
Electrical Connection	
Commissioning	
Operation	7
Operation Guide	
Description of Controls	
Hotplate Elements	
Oven	
Cleaning and Maintenance	9
General	
After Each Use	
Daily Cleaning	
Weekly Cleaning	
Periodic Maintenance	
Fault Finding	11
Wiring Diagrams	12
Circuit Schematics	15
Replacement Parts	16

Introduction

We are confident that you will be delighted with your BLUE SEAL ELECTRIC OVEN RANGE and it will become a most valued appliance in your commercial kitchen.

To ensure you receive the utmost benefit from your new Blue Seal ELECTRIC OVEN RANGE, there are two important things you can do.

Firstly:

Please read the instruction book carefully and follow directions given. The time taken will be well spent.

Secondly:

If you are unsure of any aspect of the installation, instructions or performance of your appliance, contact your BLUE SEAL dealer promptly. In many cases a phone call could answer your question.

CE Only:

These instructions are only valid if the country code appears on appliance. If code does not appear on the appliance, refer to supplier of this appliance to obtain technical instructions for adapting appliance to conditions for use in that country.



Warning

IMPROPER INSTALLATION, ADJUSTMENT, ALTERATION, SERVICE OR MAINTENANCE CAN CAUSE PROPERTY DAMAGE, INJURY OR DEATH. READ THE INSTALLATION, OPERATING AND MAINTENANCE INSTRUCTIONS THOROUGHLY BEFORE INSTALLING OR SERVICING THIS APPLIANCE.



Warning

GREAT CARE MUST BE TAKEN BY THE OPERATOR TO USE THE EQUIPMENT SAFELY TO GUARD IT AGAINST RISK OF FIRE.

- **THE APPLIANCE MUST NOT BE LEFT ON UNATTENDED.**
- **IT IS RECOMMENDED THAT A REGULAR INSPECTION IS MADE BY A COMPETENT SERVICE PERSON TO ENSURE CORRECT AND SAFE OPERATION OF YOUR APPLIANCE IS MAINTAINED.**
- **DO NOT STORE OR USE GASOLINE OR OTHER FLAMMABLE VAPOURS OR LIQUIDS IN THE VICINITY OF THIS OR ANY OTHER APPLIANCE.**
- **DO NOT SPRAY AEROSOLS IN THE VICINITY OF THIS APPLIANCE WHILE IT IS IN OPERATION.**



Caution

- **This appliance is for professional use and is only to be used by qualified persons.**
- **Only authorised service persons are to carry out installation or servicing operations.**
- **Components having adjustments protected (e.g. paint sealed) by the manufacturer should not be adjusted by the user / operator.**
- **DO NOT operate the appliance without the legs supplied fitted.**

Model Numbers Covered in this Specification

Model Number	Model Type	Total Power Input	Net Weight
E506S	Electric Static Oven Range with 6 Hotplate Elements	22.1 kW	153 kg
E56S	Electric Convection Oven Range with 6 Hotplate Elements	22.4 kW	153 kg

General

A commercial heavy duty, 900mm wide Electric Oven Range designed for modular kitchens and is constructed in an easy clean stainless steel external finish.

The range is fitted with either a 900mm 6.5kW electric static oven or convection oven.

Electrical Supply Requirements

Model	Power Supply			Total Power Input	Amps @ 400 - 415 Vac			Motor
	Voltage	Type	Frequency		L1	L2	L3	
E506S	400-415 Vac	3 P+N+E	50 / 60 Hz	22.1 kW	29.4	30.4	30.4	----
E56S	400-415 Vac	3 P+N+E	50 / 60 Hz	22.4 kW	31.3	31.1	31.1	100 W

Electrical Connection



Warning

THIS APPLIANCE MUST BE EARTHED. IF THE SUPPLY CORD IS DAMAGED, IT MUST BE REPLACED BY A SUITABLY QUALIFIED PERSON IN ORDER TO AVOID A HAZARD.

Electrical supply connection point is located at the rear of the appliance, approximately 130mm from the right hand side, 30mm from the rear and 675mm from the floor.

When connecting this electric appliance to mains supply, ensure that the following is carried out:

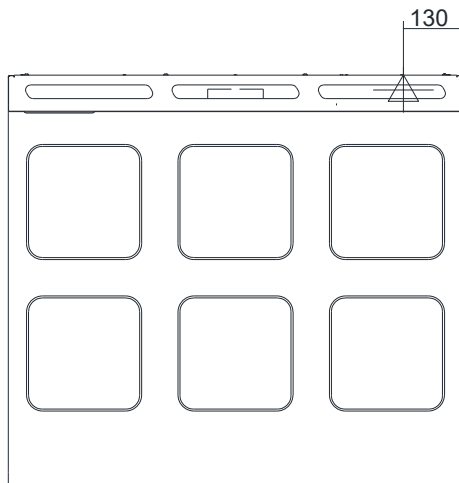
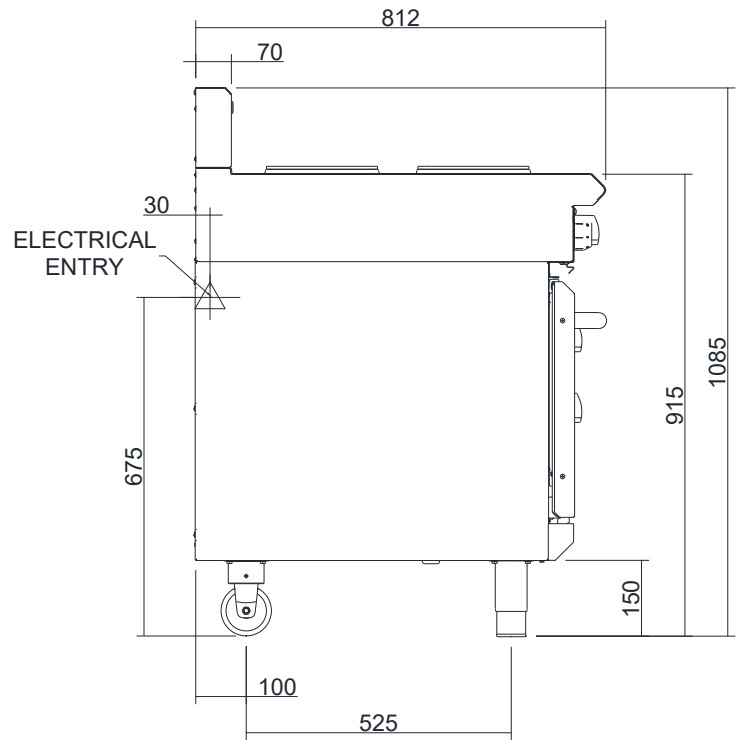
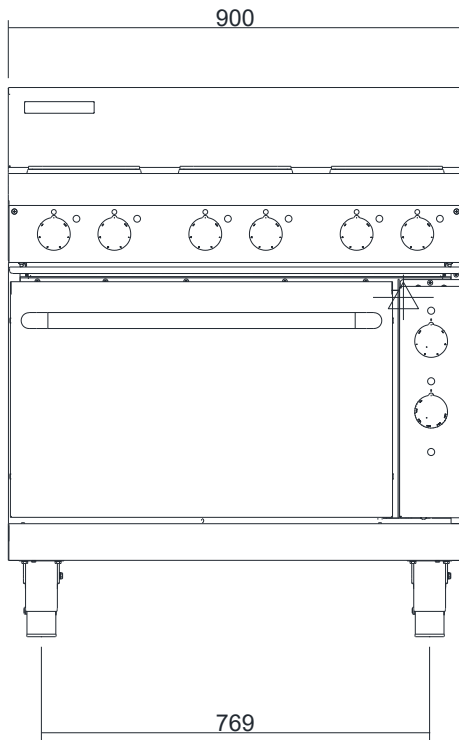
- An isolating switch is fitted within 2m of the appliance, but not on the appliance and in such a position that the user does not have to reach across the cooking surface.
- Supply cord shall be oil-resistant, sheathed flexible cable and not lighter than ordinary polychloroprene or other equivalent synthetic elastomer sheathed cord (as per AS / NZS 3191 part 2.10.11. or IEC 60245-IEC-57) e.g. HO5 RN-F Type.
- The branch supply line shall be individually overload protected to the correct current rating and the supply chord shall be protected against any mechanical or thermal damage.
- A cable gland is fitted to the wiring entry hole at the rear of the appliance.
- Supply cable wires should be boot laced and all terminal connections must be tight to avoid potential self-overheating.

Refer to the appropriate wiring standards for the size of cable that is to be supplied to an appliance for current drawn on that line.

Specifications

Dimensions

E506S / E56S



Installation Requirements

NOTE:

- It is most important that this Electric Static / Convection Oven Range is installed correctly and that operation is correct before use. Installation shall comply with local electrical and health and safety requirements.
- This appliance shall be installed with sufficient ventilation to prevent occurrence of unacceptable concentrations of health harmful substances in the room, appliance is installed in.

Blue Seal Electric Static / Convection Oven Ranges are designed to provide years of satisfactory service, and correct installation is essential to achieve the best performance, efficiency and trouble-free operation. This appliance must be installed in accordance with National Installation Codes and in addition, in accordance with relevant National / Local codes covering electrical and fire safety.

Australia / New Zealand: - AS / NZS3000 - Wiring Rules.
United Kingdom: - BS 7671 - Requirements for Electrical Installations.

Installations must be carried out by authorised persons only. Failure to install equipment to relevant codes and manufacturer's specifications shown in this section will void the warranty.

Unpacking

1. Remove all packaging and transit protection from the appliance including all protective plastic coating from the exterior stainless steel panels.
2. Check equipment and parts for damage. Report any damage immediately to the carrier and distributor.
3. Report any deficiencies to the distributor who supplied the appliance.
4. Check that the available electrical supply is correct to that shown on the lower R/H side of the front sill panel.

Location

1. Installation must include adequate clearance and ventilation.
2. Position the appliance in its approximate working position.
3. The legs must always be fitted to the base of the appliance.

Clearances

	Combustible Surface	Non Combustible Surface
Left / Right hand side	150 mm	0 mm
Rear	50 mm	0 mm

NOTE: Only non-combustible materials can be used in close proximity to this appliance.

Assembly

All Models

All models come pre-assembled.

NOTE: This appliance is fitted with adjustable feet / rear rollers to enable it to be positioned securely and level. This should be carried out on completion of electrical connection. Refer to 'Electrical Connection' section.

Optional Accessories (Refer to Replacement Parts List)

- Plinth Kit. For installation details, refer to the instructions supplied with each kit.

Installation

Electrical Connection



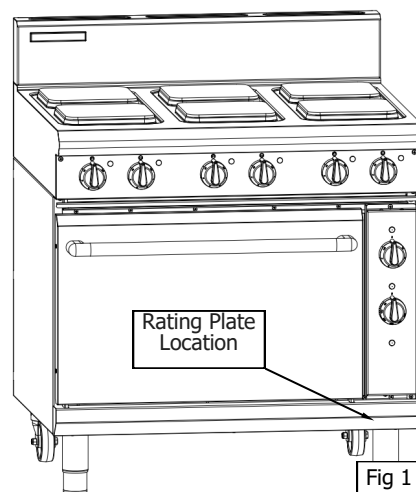
Warning

THIS APPLIANCE MUST BE EARTHED. IF THE SUPPLY CORD IS DAMAGED, IT MUST BE REPLACED BY A SUITABLY QUALIFIED PERSON IN ORDER TO AVOID A HAZARD.

NOTE: ALL ELECTRICAL CONNECTIONS MUST ONLY BE CARRIED OUT BY AN AUTHORISED PERSON.

Each appliance should be connected to an adequately protected power supply and isolation switch mounted adjacent to, but not behind appliance. This switch must be clearly marked and readily accessible in case of fire.

1. Check that the electricity supply is correct as shown on the Rating Plate attached to the lower front R/H side of the sill.
2. The supply terminal connections are located at the rear of the appliance. Refer to 'Electrical Connections' in the 'Specifications' section of the manual.
3. Bring the supply cable up through the compression type gland provided on the rear electrical connection housing.
4. Connect the mains supply to L1, L2 and L3 connections for 3 phases. Refer to the 'Electrical Supply Requirements' section for connection details.
5. Connect neutral and earth conductors to neutral and earth connections respectively.
6. For all connections ensure that the conductors are secure and appropriately terminated.
7. Tighten the cable gland to secure against tension on the cable.



NOTE:

- **This appliance must be earthed.**
- **Fixed wiring installations must incorporate an all-pole disconnection switch.**

8. Correctly locate the appliance into its final operating position and, using a spirit level, adjust the legs so that the appliance is level and at the correct height.
9. Connect the power supply to the appliance.
10. Check that the electrical supply is as shown in the 'Specifications' section.

Commissioning

1. Before leaving the new installation;
 - a. Check the following functions in accordance with the operating instructions specified in the 'Operation' section of this manual.
 - Check that all the connections are correct.
 - Check the current draw and voltage is within the electrical specification required.
 - Check that all cover panels have been re-fitted.
 - Check that the appliance functions in accordance with the operating instructions.
 - Ensure that this instruction manual is left with the appliance.
 - Ensure that all the relevant details and contacts have been added to the front of this manual.
 - b. Ensure that the operator has been instructed in the areas of correct operation and shutdown procedure for the appliance.
2. This manual must be kept by the owner for future reference and as a record of **Date of Purchase, Date of Installation** and **Serial Number of Unit** recorded and kept with this manual. **(These details can be found on the Rating Plate).** Refer to the 'Electrical Connection' section for rating plate location).

Operation Guide



Caution

- This appliance is for professional use and is only to be used by qualified persons.
- Only authorised service persons are to carry out installation, servicing or gas conversion operations.
- Components having adjustments protected (e.g. paint sealed) by manufacturer should not be adjusted by user / operator.

1. Blue Seal Electric Static / Convection Oven Ranges have been designed to provide simplicity of operation.
2. Despite the Cooktop's commercial heavy duty robust construction, incorrect operation practices can reduce the life of the appliance and produce a poor quality product. To use this appliance correctly please read the following sections carefully.

- **Cast Iron Hotplate Elements.**
- **Oven.**

Description of Controls

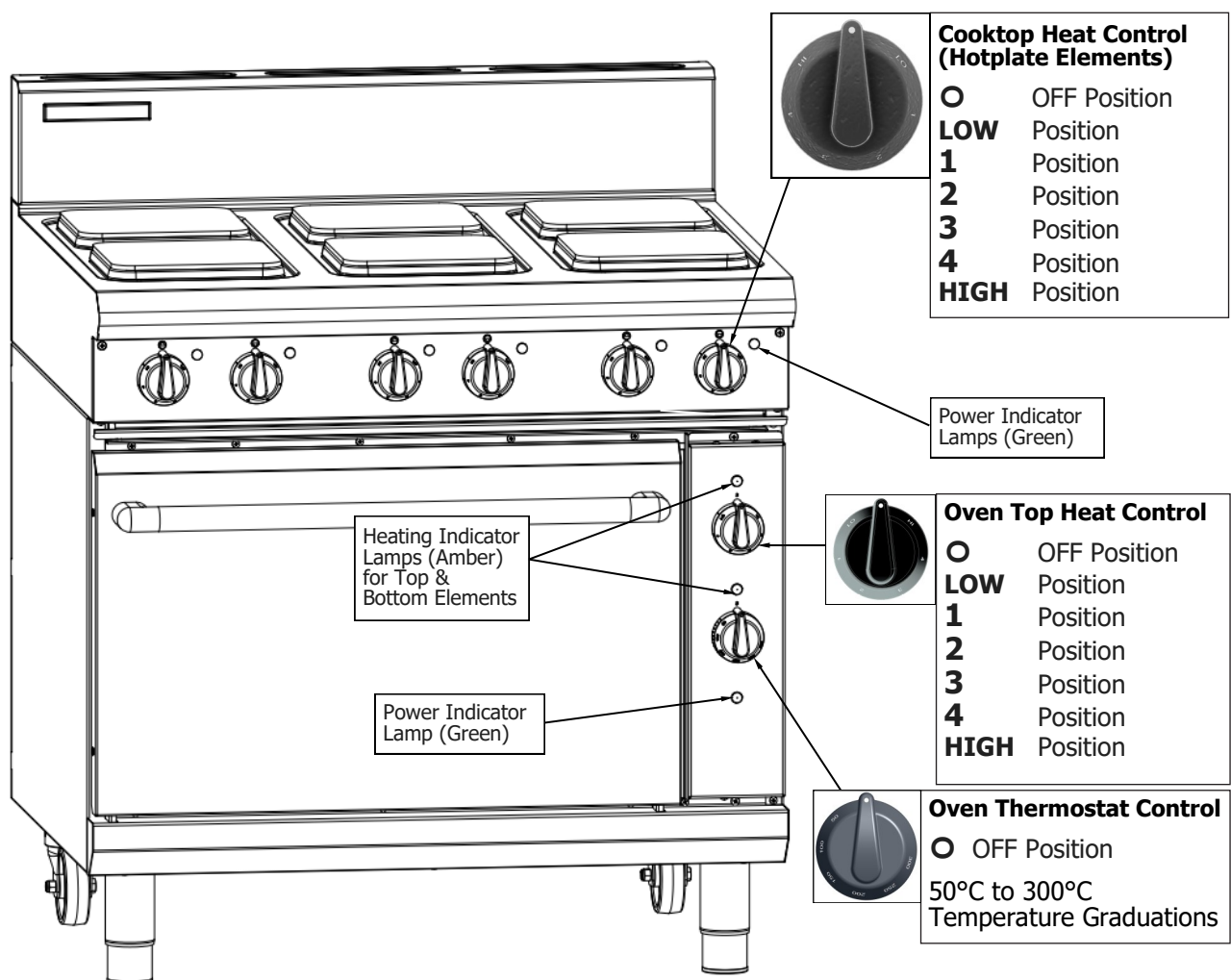


Fig 2

Operation

Cast Iron Hotplate Elements

The controls for the cast iron hotplate elements may be set at any position between high and low to provide the desired level of heating. An individual green neon for each element, will glow when the element is powered on, i.e. heat control is set to an "ON" position.

Start cooking at the highest setting, and change to a lower setting when the desired temperature is reached.

For maximum speed and economy, it is most important that cooking pots/pans should cover the hotplate completely and have perfectly flat bases. Any part of the hotplate which is not making effective contact with the base of the pot/pan decreases the life and efficiency of the hotplate.

Pots/pans which are significantly larger than the hotplate may also reduce hotplate life and efficiency.

Oven

The oven is fitted with top and bottom elements. The thermostat maintains the overall oven temperature. The top element is further controlled by the oven top heat control.

NOTE: The thermostat on the oven provides overall control of temperature within the oven by controlling both elements, whereas the Oven Top Heat Control provides a means of balancing the distribution of heat between the top and bottom of oven.

Convection ovens (E56S) are fitted with a circulation fan.

Place oven racks in the desired position.

! IMPORTANT DO NOT USE aluminium foil or trays directly on the cast iron sole plate(s). NEVER block or cover the openings on each side of the sole plate(s).

Preheat:

Preheat the oven by selecting the desired temperature, and turning the oven top heat control (Refer to Fig 2 on previous page) to a maximum of 2. When the desired temperature is reached, the amber neon will go out.

Cooking:

When the desired temperature has been reached, load oven with product and set the oven top heat control to the desired setting.

NOTE: When the oven top heat control is set to a high setting, proportionally more heat is produced at the top of the oven. (This can be used for browning, etc, during the cooking operation). With the oven top heat control set on a low setting, less heat is produced from the top oven elements. (This mode is used for general baking purposes to prevent cakes, etc, from getting too brown and crisp on the top, but allow the cake to cook through).

To obtain more top heat during cooking, turn the oven top heat control to a higher position. (The higher the setting, the more top heat).

Turning 'OFF' the Oven:

- Turn the oven top heat control to the 'O' off position. The top heating will be turned 'OFF' and the upper heating indicator lamp (Amber) will extinguish.
- Turn the thermostat control knob to the 'O' off position and the lower heating indicator lamp (Amber) will extinguish. The oven is now turned 'OFF'.

NOTE:

- If for some reason it is not possible to get the unit to operate correctly, turn off the electrical power supply and contact a qualified service person. The supplier of this unit will be able to recommend a suitable person.
- Make sure that the electrical supply is turned "Off" before any service or maintenance work is carried out.

General



Always turn 'Off' the electrical supply at the mains before cleaning.

This appliance is not water proof.

Do not use water jet spray to clean interior or exterior of this appliance.

Clean the range regularly. A clean appliance looks better, will last longer and will perform better. Carbonised grease on the surface will hinder the transfer of heat from the cooking surface to the food. This will result in loss of cooking efficiency.

DO NOT use water on the appliance while it is still hot as warping and cracking may occur. Allow the appliance to cool down before cleaning.

NOTE:

- **DO NOT use abrasive detergents, strong solvents or caustic detergents as they could corrode or damage the range.**
- **In order to prevent the forming of rust on the hotplate elements (Cast Iron), ensure that any detergent or cleaning material has been completely removed after each cleaning. The appliance should be switched on briefly to ensure the elements become dry. Oil or grease should be wiped over the hotplate surfaces in order to form a thin protective greasy film.**

To keep your Range clean and operating at peak efficiency, follow procedures shown below:-

After Each Use

Clean the Cooktop with a soft scrubbing brush to remove any food debris.

Daily Cleaning

1. Thoroughly clean the splash back, the interior and exterior surfaces of the appliance with hot water, a detergent solution and a soft scrubbing brush.
2. Clean the Control Panel with a damp cloth lightly moistened with a solution of mild detergent and water. Dry the control panel thoroughly with a dry cloth and polish with a soft dry cloth.
3. Brush the hotplate surfaces with a soft bristled brush. Any carbon deposits should be removed using a scraper tool, followed by wiping with a cloth moistened with a solution of mild detergent and hot water to prevent accumulation of food deposits.
4. Dry the appliance thoroughly with a dry cloth and polish with a soft dry cloth.

Cleaning and Maintenance

Weekly Cleaning

NOTE:

- If the Range usage is very high, we recommend that the weekly cleaning procedure is carried out on a more frequent basis.
- Ensure that protective gloves are worn during the cleaning process.
- DO NOT use harsh abrasive detergents, strong solvents or caustic detergents as they will damage the Cooktop and elements.
- DO NOT use water on the hotplates while they are still hot as warping may occur. Allow these castings to cool for cleaning.

NOTE: In order to prevent the forming of rust on the hotplates, ensure that all detergent and cleaning material has been entirely removed after each cleaning process. The appliance should be switched on briefly to ensure the hotplates become dry. Oil or grease should be wiped over the hotplate surfaces in order to form a thin protective greasy film.

Cooktop Cooking Area

- a. Clean the Cooktop area with a soft cloth and a mild detergent and hot water solution.
- b. Baked on deposits or discolouration may require a good quality stainless steel cleaner or stainless steel wool. Always apply cleaner when the appliance is cold and rub in the direction of the grain.

Stainless Steel Surfaces

- a. Clean the exterior surfaces of the Cooktop with hot water, a mild detergent solution and a soft scrubbing brush. Note that the control knobs are a push fit onto the control spindles and can be removed to allow cleaning of the front control panel.
- b. Baked on deposits or discolouration may require a good quality stainless steel cleaner or stainless steel wool. Always apply cleaner when the appliance is cold and rub in the direction of the grain.
- c. To remove any discolouration, use an approved stainless steel cleaner or stainless steel wool. Always rub in the direction of the grain.
- d. Dry all components thoroughly with a dry cloth and polish with a soft dry cloth.

Periodic Maintenance

To achieve the best results, cleaning must be regular and thorough and all controls and mechanical parts checked and adjusted periodically by a competent serviceman. If any small faults occur, have them attended to promptly. Don't wait until they cause a complete breakdown. It is recommended that the appliance is serviced every 6 months.

Fault Finding

This section provides an easy reference guide to the more common problems that may occur during operation of your appliance. The fault finding guide in this section is intended to help you correct, or at least accurately diagnose problems with your equipment.

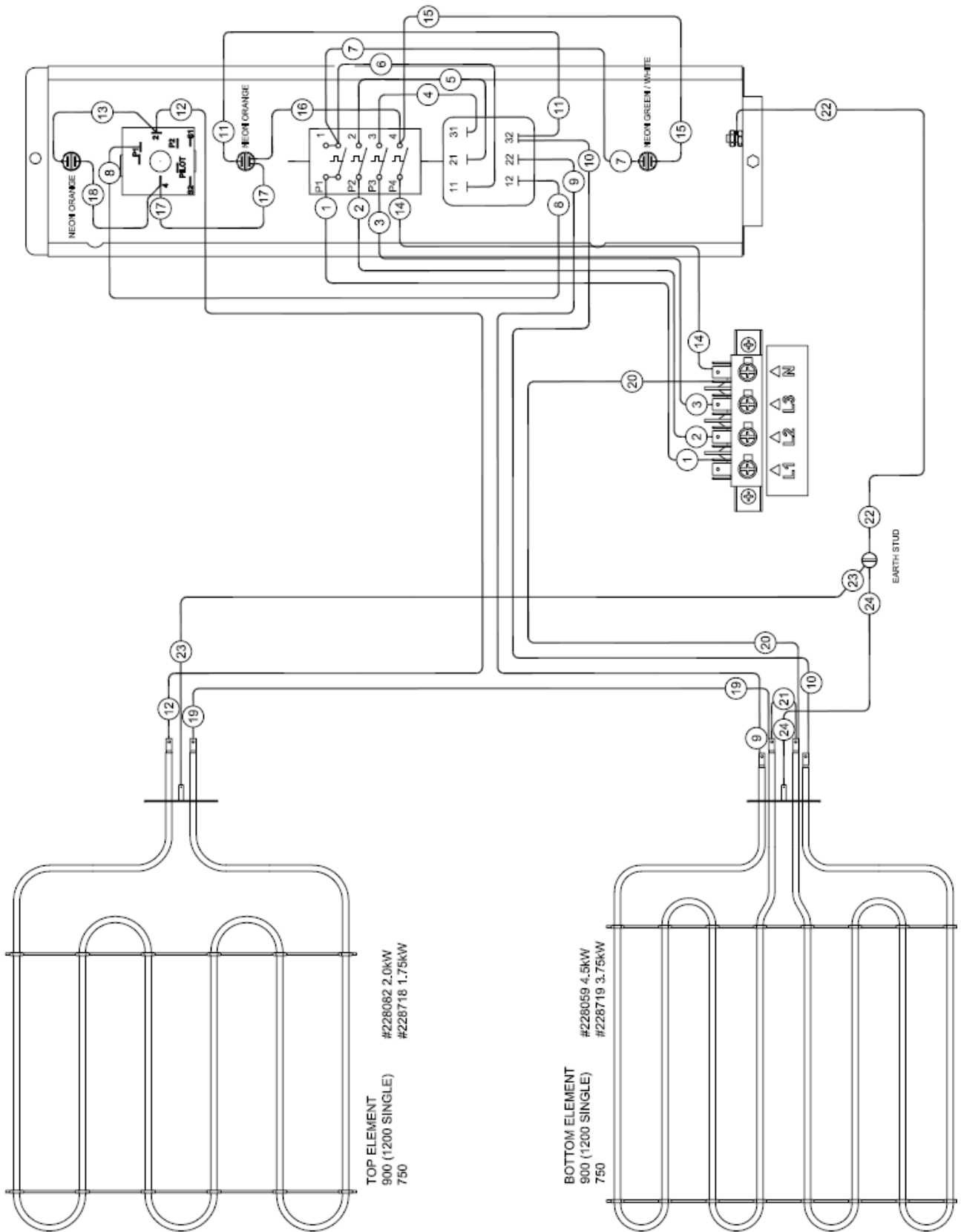
Although this section covers the most common problems reported, you may encounter a problem not covered in this section. In such instances, please contact your local authorised service agent who will make every effort to help you identify and resolve the problem. Please note that the service agent will require the following information:

- The **Model Trade Name** and the **Serial Number** of the Appliance. (Both can be found on the Technical Data Plate located on the appliance)

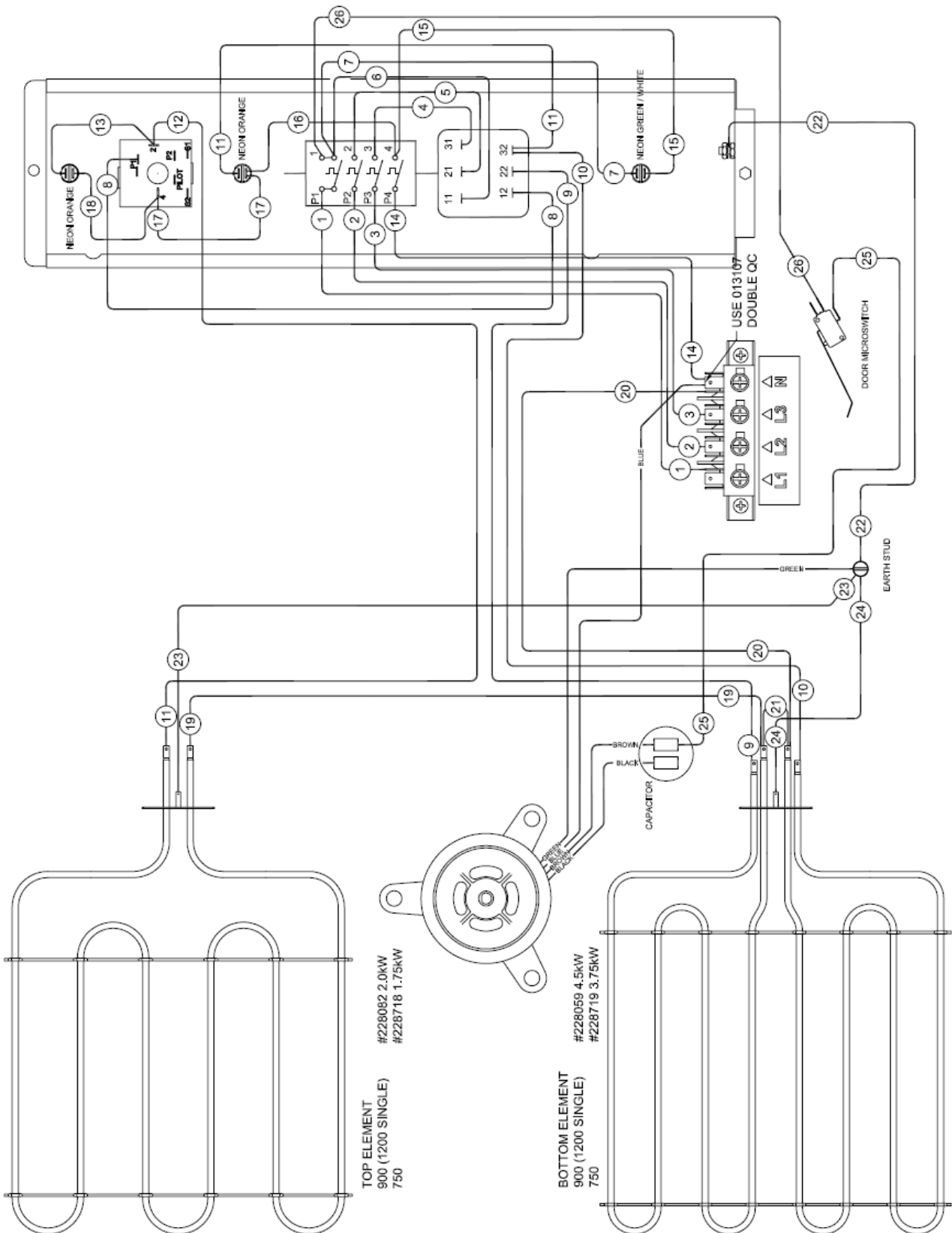
Fault	Possible Cause	Remedy
Element does not work when turned 'ON'.	Check for an electrical short by checking that there is NO continuity between any 'Phase In' line and the metal appliance body itself. Check for the item failing (element, control etc) using a multimeter.	Call the service provider. Call the service provider.
Complete power failure of the appliance	Check fuse connection at mains supply. Ensure that the fuse size is correct to carry load. Check for an electrical short to the appliance.	Replace the blown fuse. Carry out a continuity and resistance check on the appliance. Call the service provider.

Wiring Diagrams

Static Ovens (E506S)

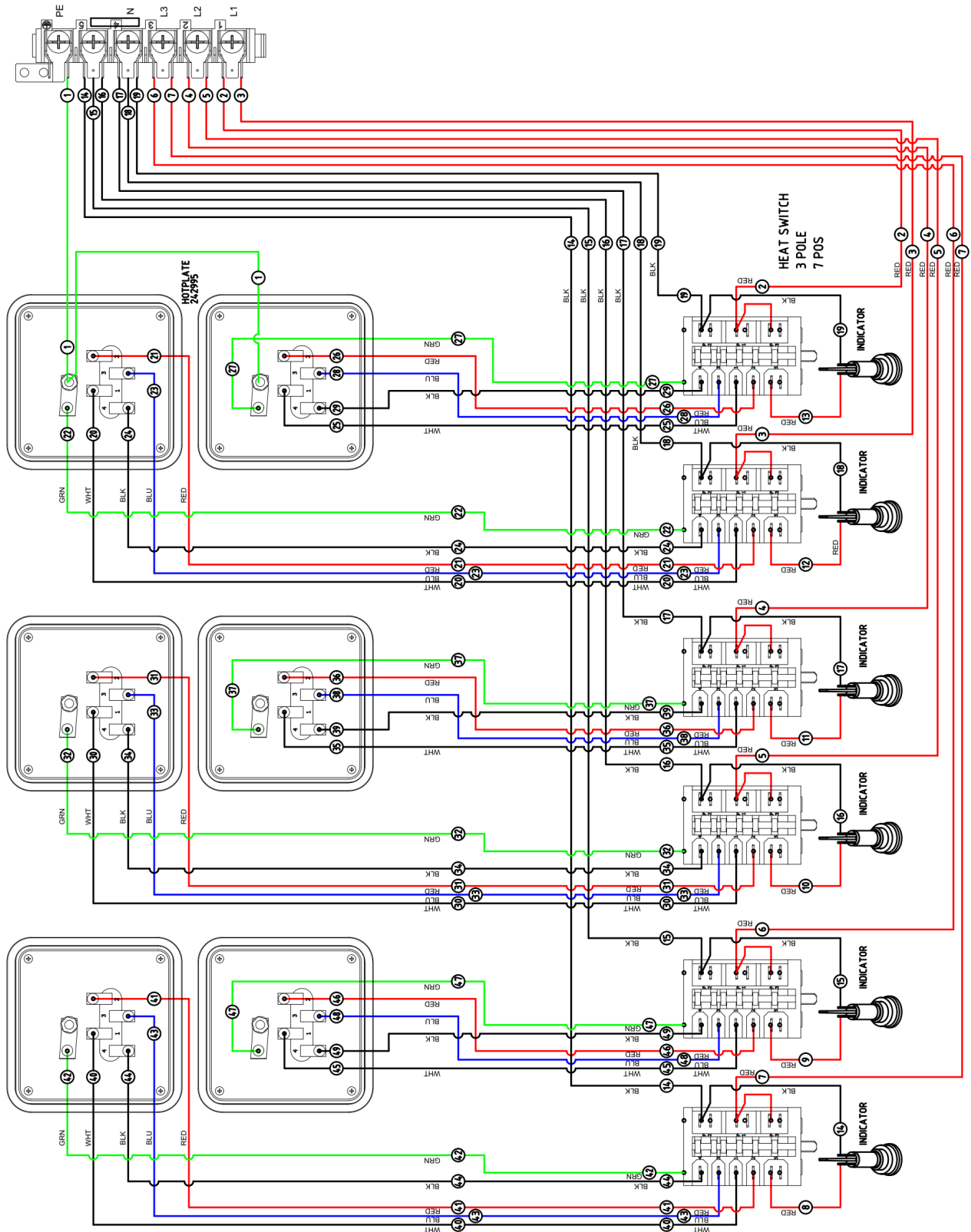


Convection Ovens (E56S)

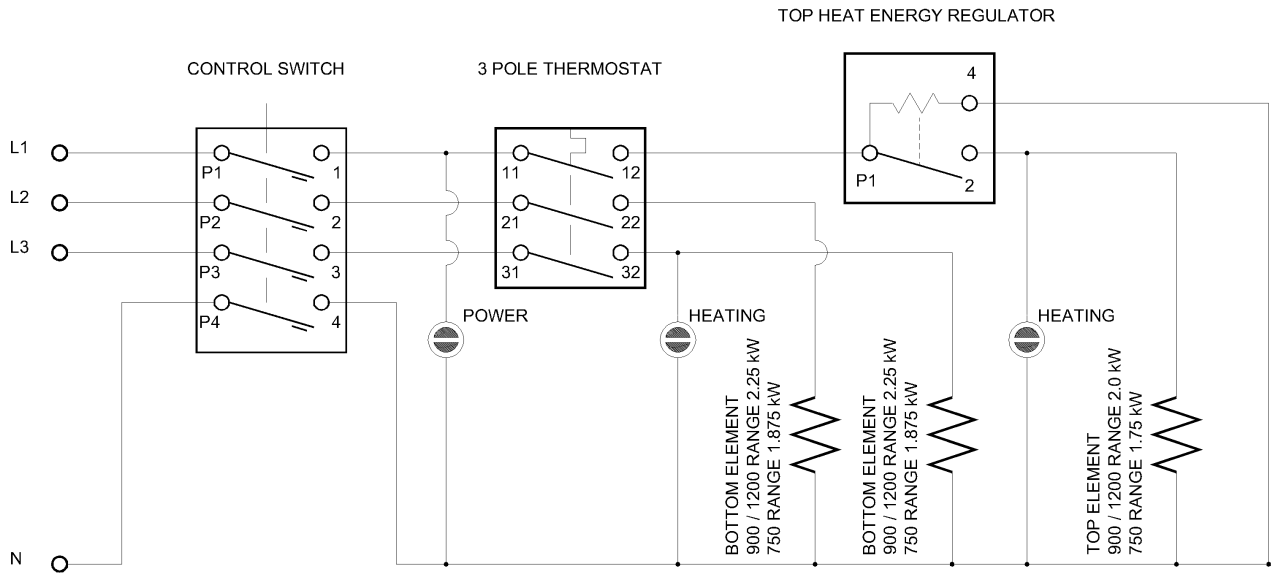


Wiring Diagrams

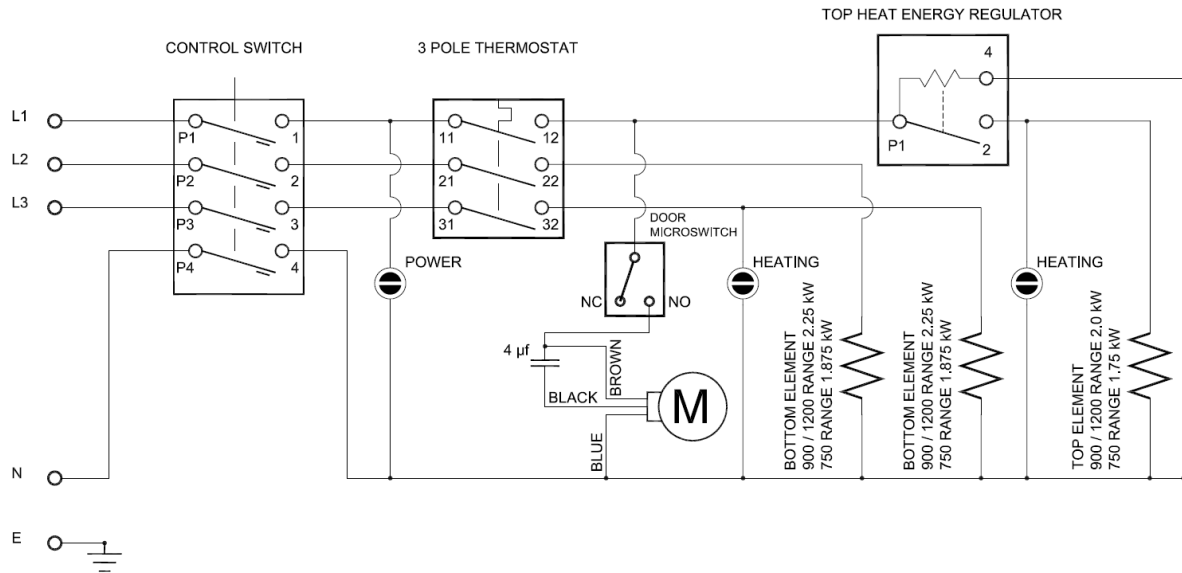
Cook Top - 6 Elements (E506S & E56S Models)



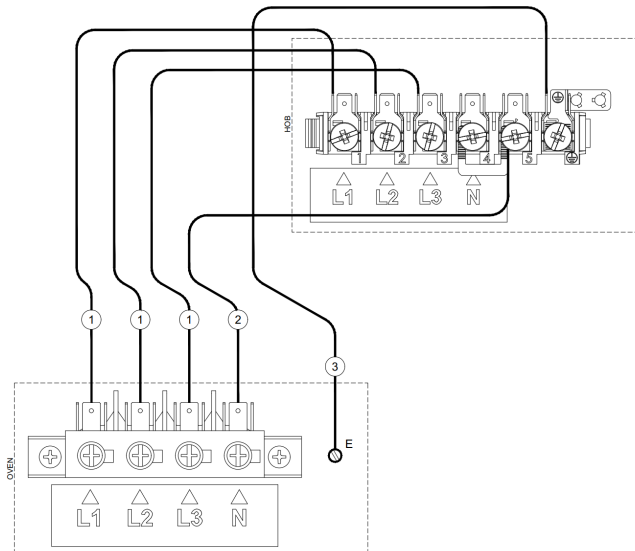
Wiring Layout for Static Oven



Wiring Layout for Convection Oven



Wiring Connection Between Oven and Hob



Replacement Parts List

Replacement Parts List

IMPORTANT:

Only genuine authorized replacement parts should be used for the servicing and repair of this appliance. The instructions supplied with the parts should be followed when replacing components.

For further information and servicing instructions, contact your nearest authorized service branch (contact details are as shown on reverse of front cover of this manual).

When ordering replacement parts, please quote the part number and description as listed below. If the part required is not listed below, request the part by description and quote the model number and serial number which is shown on the rating plate.

Cook Top

247734	Element Wire Loom
242995K	Hotplate Element 220x220RI 2.6kW 240V Kit
238768	Indicator Green (Clear Lens)
248170	Control Knob HI/LO
247717	Switch 6 Heat 7 Position

Oven

228082K	Oven Top Element 2kW 240V Kit
228059	Oven Bottom Element 4.5kW
228704	Door Spring Kit (Includes 2 Springs)
229146	Thermostat 50 - 300°C
229145	Switch (4-pole)
013989	Energy Regulator
227392	Control Knob Thermostat 50°C - 300°C
227391	Control Knob HI/LO Heat
227963	Neon Orange
228922	Neon White

Convection Oven Only

228938	Oven Door Microswitch
010909	Motor Capacitor 4µf
019479K	Motor Kit (Includes Cooling Disc & Capacitor 4µf)
010866	Cooling Disc
228116	Fan

General

227892	Oven Side Rack LH
227893	Oven Side Rack RH
227896	Oven Rack
229674	Rear Roller Assy
240534	Adjustable Legs - 150mm - c/w Plate (Front)
228571	Index Mark Moulding

Accessories

228799	900mm Plinth Kit
--------	------------------

