

### 1 For your safety:

These operating instructions contain important information about the use of the device. Please ensure that all operators familiarise themselves with the contents. These operating instructions are also available in the Internet at <http://www.riever.de/>.



#### Warning! Danger! Electrical voltage

The device may only be used when it is fully functional. Always pull on the plug and never on the power cable as this causes damage! Always pull the plug from the socket before moving the device.



The mains plug must be accessible at all times in order to be able to disconnect the unit from the mains supply in an emergency.

Before using the device, always check the mains plug and the power cable for visible damage.



#### Careful! Danger of burns!

Be careful when removing and loading GN containers or cooktainers; there is a danger of burns on hot surfaces.



Therefore wear protective gloves!



Always disconnect the plug from the socket before moving the device and remove any fitted cooking units and/or secure these against slipping.



#### Warning! Danger of injury!

To prevent the device rolling away uncontrollably, activate the brake on the caster as soon as the device is in position.

### 2 Proper use:

The Thermoport® 6000KB is only designed for storing, heating and transporting warm food. The Thermoport® can hold GN containers of the size max. 1/1 and different depths. Maximum storage capacity: 2x GN 1/1, 200 mm deep.

The Thermoport® 6000K is only designed for storing and transporting warm and/or cold food. The Thermoport® can hold GN containers of the size max. 1/1 and different depths. Maximum storage capacity: 2x GN 1/1, 200 mm deep.

- It is forbidden to equip the heated wells and/or the drawers or compartments with Gastronorm containers that are made of non-heat-resistant or flammable material.
- Never operate the device unsupervised.
- The Thermoport® may not be thrown.
- Persons may not sit or stand on the Thermoport®.

### 3 Transport and positioning:

- Position the device horizontally, securely and stably.
- Activate the brakes on the casters.
- Ensure that no-one can trip over the electrical cable.
- The Thermoport® should be stored at room temperature.

#### **4 Commissioning:**

- Electrical connection conditions on site and specifications on the unit's type plate must be in agreement.
  - Unit connection: 1N AC 230 V 50 Hz
- Ensure that the electrical power cables of the inserted function elements are not crushed or come into contact with hot parts of the housing.
- Clean the device thoroughly with a damp cloth before commissioning for the first time.

#### **5 Operation:**

- Connect the power cable of the heated Thermoport® to the socket. The heating will now start to work until it reaches 95°C. Then it will shut down and heat up again automatically if the temperature drops.
- Recommended pre-heating time before loading: 30 minutes with the door closed.
- Temperature range: -20°C to +100°C. Please ensure also that the GN-containers you insert do not undercut or exceed these temperatures.
- Warm food should be inserted at a minimum temperature of +85°C (see HACCP rules)
- The transportation and holding times should not exceed 2 hours (see HACCP rules)
- In the case of liquid food, the GN-containers should be closed with water-tight press-in lids
- To ensure the best insulation effects, please note:
  - Leave as little free space inside the Thermoport® as possible
  - Close the Thermoport® immediately after fitting and only open again just before serving
  - Close the door again immediately after removing food

After operation:

- The container should be cleaned inside and outside every time it is used.
- Allow the heated device to cool down completely.

#### **6 Cleaning:**

- Do not use a high-pressure cleaner as water may penetrate into the electrical parts.
- To clean the plastic, use a suitable neutral or general purpose cleaning agent. Do not use any cleaning agents that contain chlorine, sand, soda or acids.
- The Thermoport® 6000KB can be washed in the dishwasher up to +90°C if the door has been removed.

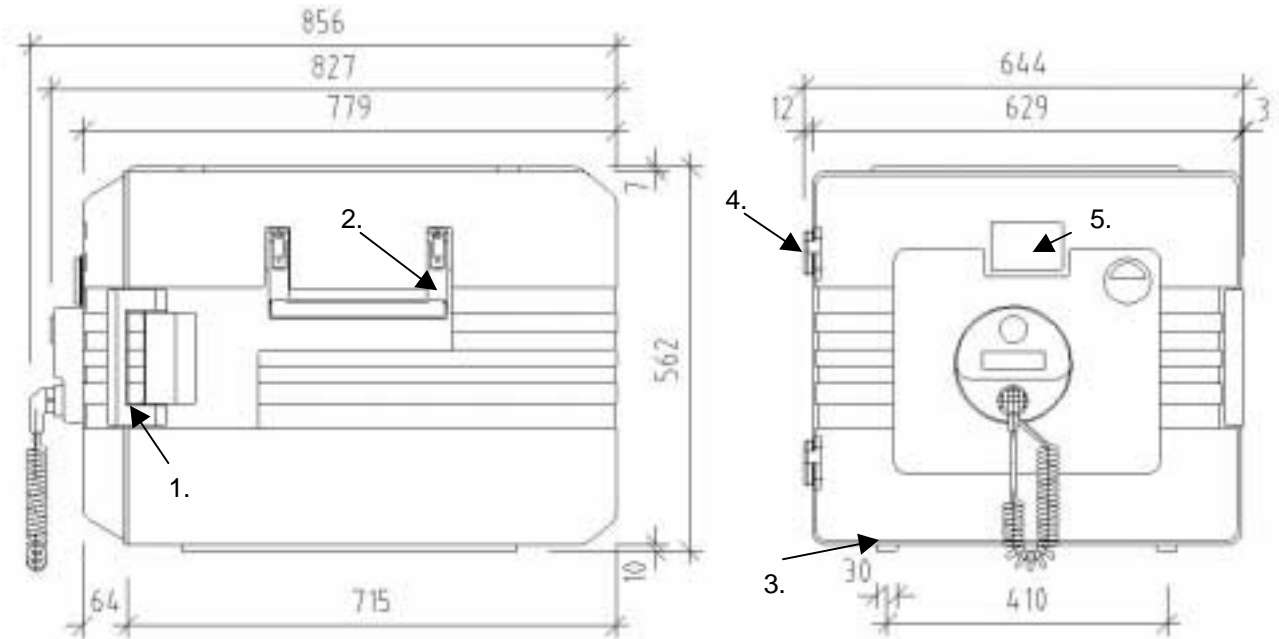
Proceed as follows:

- Disconnect the plug from the mains supply
- Clean the unit with a damp cloth.

#### **7 Maintenance/ servicing:**

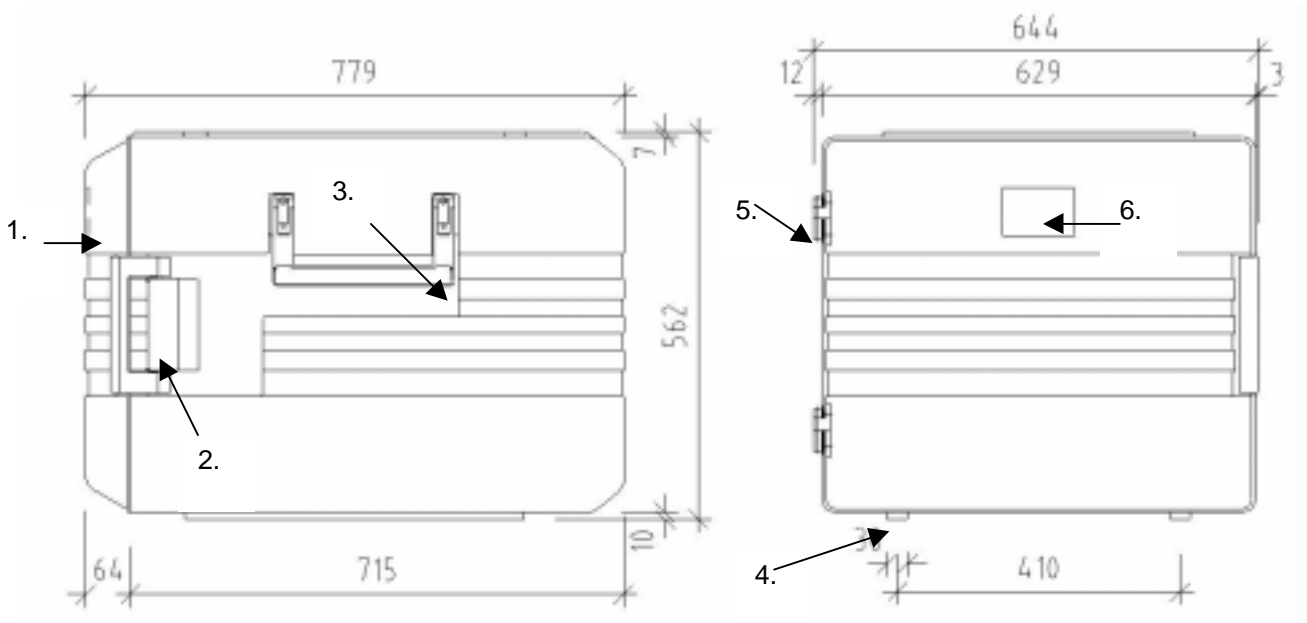
The device must be serviced by an electrician/service technician **at least every 6 months**.

**8 Spare parts:**  
**8.1 6000 KB**



- 1. Door catch: Material number: 37133202
- 2. Carrying handle: Material number: 37130306
- 3. Runners: Material number: 37130401
- 4. Complete hinge set: Material number: 37138909
- 5. Insert card: Material number: 37190601

**8.2 6000 K**



- 1. Doors: Material number:
- 2. Door catch: Material number: 37133202
- 3. Carrying handle: Material number: 37130306
- 4. Runners: Material number: 37130401
- 5. Complete hinge set: Material number: 37138909
- 6. Insert card: Material number: 37190601

**Casters:**

Swivel casters with brake, d= 125 mm: Mat.No.: 32291203  
 Swivel casters, d= 125 mm: Mat.No.: 32290203

**9 Malfunctions:**

- In case of a failure, please contact the Rieber customer service stating the unit type and unit number (see type plate).
- Repair work may only be performed by Service. The address of your service partner is stated on the last page of these brief operating instructions.
- Only use original spare parts and original accessories

**10 Decommissioning:**

- Dry the inside or leave the door(s) and lid open until the residual damp has dried.
- Disposal: Dispose of the device in a proper and environmentally-friendly manner (observe local regulations).

**11 Liability and warranty:**

The terms and conditions of sale and delivery of the company Rieber GmbH & Co. KG that are valid on the invoice date apply to all warranty claims made to the manufacturer.

**Excluded from the warranty:** All installed parts that are subject to consumption or natural or mechanical wear (e.g.: seals, power cables, tires, corner bumpers, bumpers).

No liability will be assumed if the device is not used properly for its intended purpose.

The general terms and conditions apply (available for viewing at [www.rieber.de](http://www.rieber.de)).

**Manufacturer's address**

Rieber GmbH & Co. KG  
Hoffmannstraße 44  
D – 72770 Reutlingen  
Tel. +49 [0] 7121 / 518 - 0  
Fax +49 [0] 7121 / 518 - 302  
E-Mail: [info@rieber.de](mailto:info@rieber.de)  
[www.rieber.de](http://www.rieber.de)

Dealer's stamp

ZNW 11961239  
06/2006