

Varimixer

# AR40

**MULTIPLE CAPACITIES IN ONE MACHINE**

Bowls and tools for production at half volume are available for AR40.

**DIGITAL TIMER** operation time can be controlled or monitored via a digital timer. The machine stops at 00:00

**MEAT MINCER AND VEGETABLE CUTTER** Models from AR30 to AR80 can be ordered with an attachment drive, to expand the mixer's potential applications.

**PLASTIC OR STAINLESS STEEL SAFETY GUARD** The AR series comes with a CE-approved safety guard made of plastic to prevent flour dust and stains. It's filling chute can be used during operation. It is also available with a removable plastic guard, or a fixed or removable stainless steel guard.

**AUTOMATIC FLXATION** The bowl is wheeled into place between the two bowl arms. Using the handle – or automatically by pressing a button – the bowl is raised, centered and locked in place in a single movement.

**EASY BOWL HANDLING** Choose between bowl trolley for transport or an electric bowl lift, which handles transport to and from the machine. This also ensures good ergonomics during filling and emptying. Choose between several models.

**WHITE OR STAINLESS STEEL**

An easy-to-clean design. The AR series is powder coated as standard and can be upgraded to a completely stainless steel frame.

**STRONG AND EFFECTIVE** The powerful motors have the capacity to handle large quantities of heavy ingredients.

**VARIABLE SPEED CONTROL** The speed is variably controlled by a very rugged system of belts, rather than gears. This solution means that the mixer does not contain oil, thus avoiding the risk of oil spilling into the bowl.



**PIZZA SPECIAL** AR40 and AR60 are available in a special pizza version with an extra powerful motor that can easily handle 32 and 46 kg pizza dough, respectively, with 50 per cent dry matter.



**VARIMIXER AR40 OPTIONS – MODELS**



White, powder coated



Stainless steel



Pizza version, white, powder coated



Marine version, stainless steel

**OPTIONS – CONTROL PANEL**



VL-1 – Manual speed regulation and manual bowl lowering



VL-1S – Automatic speed regulation and automatic bowl lowering

**OPTIONS – SAFETY GUARDS**



Fixed safety guard in plastic. CE-certified



Removable safety guard in plastic. CE-certified



Fixed safety guard in stainless steel. Not CE-certified



Removable safety guard in stainless steel. Not CE-certified

**OPTIONS – ATTACHMENT DRIVE**



Attachment drive for mean mincer and vegetable cutter



Meat mincer, 70 mm



Meat mincer, 82 mm



Vegetable cutter GR20

**VARIMIXER AR40 STANDARD TOOLS – A-EQUIPMENT 40L**



Whip, hook, beater and bowl 40 liter in stainless steel.

**VARIMIXER AR40 STANDARD TOOLS – B-EQUIPMENT 40/20L**



Whip, hook, beater and bowl 40/20 liter in stainless steel.

**OPTION – TOOLS**



Wing whip, stainless steel



Whip with 1 mm thicker wires, stainless steel



Whip with thinner wires, stainless steel



Double pinned hook for pizza



Automatic scraper, stainless steel. Nylon or teflon blade. 40L and 40/20L.



Powder mixer, stainless steel



Whip with reinforcement



Tool rack, 91 cm

**EQUIPMENT**



Ring gas burner. Natural or liquid gas.



Bowl truck



Easylift 60 II



Flexlift Inox

### VARIMIXER AR40 STANDARD

White powder coated  
1 bowl 40 liter in stainless steel  
1 beater in stainless steel  
1 hook in stainless steel  
1 whip with stainless steel wires  
Fixed safety guard in plastic – CE-certified  
Digital timer and emergency stop  
Voltage: 3 ph, 400V, 50 Hz with 0 and ground. 1.100 W

### VARIMIXER AR40 STANDARD TECHNICAL DATA

Volume	40 l
Effect	1.100 W
Effect, pizza version	1.800 W
Standard voltage*	400 V
Net weight	180 kg
H x W x L	1210x520x910 mm
Variable speed	53 – 294 RPM
Phases	3 ph
IP code	IP32

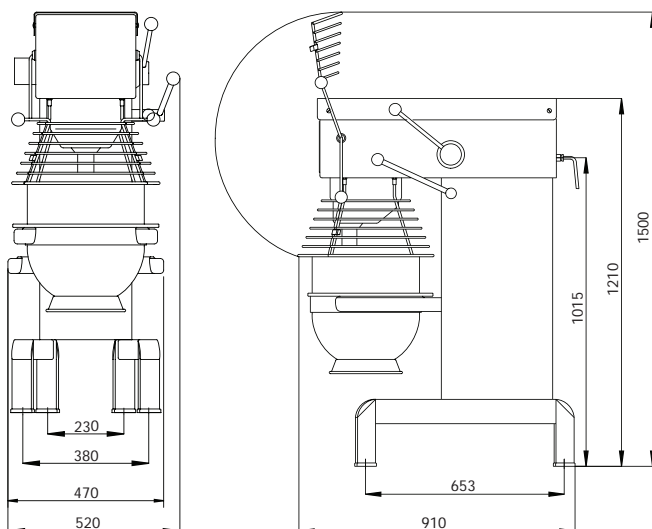
\*Other voltage power supply are available upon request in the range of 100 to 480 V.  
All standard and marine mixers are available in 50 and 60 Hz.

### VARIMIXER AR40 MARINE VERSION

Stainless steel execution, water cover at air ventilation, slotted free screws, full welded stainless steel knees, gasket at the rear plate, gasket at front panel and top cover. Complies with USPHS.

Voltage: 3 ph, 440V, 50-60 Hz with 0 and ground. 1.100 W  
3 ph, 480V, 50-60 Hz with 0 and ground. 1.100 W

### DIMENSIONS



### CAPACITIES

	AR40	AR40P
Egg Whites	6.0	6.0 l
Whipped cream	10	10 l
Mayonnaise	32	32 l
Herb butter	25	25 kg
Mashed potatoes	23	23 kg
Bread dough (50% AR)	22	32 kg
Bread dough (60% AR)	30	34 kg
Ciabatta dough (70% AR)	30	34 kg
Muffins	24	24 kg
Layer cake base	10	10 kg
Meatball mix	30	30 kg
Icing	29	29 kg
Doughnut (50% AR)	25	36 kg

### CERTIFICATIONS



# Varimixer

A/S Wodschow & Co  
Kirkebjerg Søpark 6  
DK-2605 Brøndby  
P: +45 4344 2288  
E: info@varimixer.com  
www.varimixer.com