

C6D

600mm Four Burner Gas Cooktop



C6D

- 600mm wide
- 4 open burners
- 5kW open burner rating
- Flame failure standard on open burners
- Cast iron burners and vitreous enamel potstands
- Open cabinet base for extra storage
- Adjustable front feet and rear rollers
- Stainless steel finish
- Fully modular

Also Available



C6B



C6C

OVERALL CONSTRUCTION

- Cast iron open burner heads with vitreous enamelled cast iron caps
- Vitreous enamelled potstands
- Vitreous enamelled control panel
- Stainless steel front, sides and splashback
- Stainless steel cabinet interior base
- Stainless steel spill tray
- 63mm dia. stainless steel adjustable legs to front and two rollers at rear

CONTROLS

- Large easy use control knobs
- Variable high to low controls to open burners
- Flame failure standard on open burners

CLEANING AND SERVICING

- Easy clean stainless steel exterior
- Vitreous enamelled potstands and burner caps
- Lift off open burner caps and removable burners
- Removable spill trays
- Access to all parts from front of unit

Matching Products



CR9D



CR6C



CF2



CR9A



CT6



C450



CP4



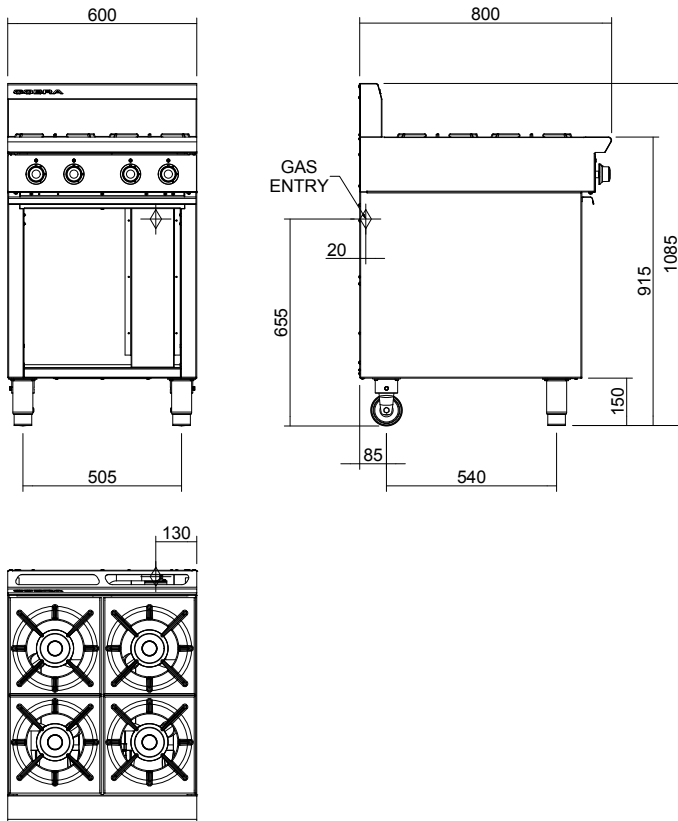
CS9 / C900-S



CT9

C6D

600mm Four Burner Gas Cooktop



C6D

SPECIFICATIONS

Burners

Open Burners;
Natural Gas
5.0kW each
Propane gas
4.6kW each

Gas power

Natural gas
20.0kW (nett), 75,790 Btu/hr (gross)
Propane gas
18.4kW (nett), 68,240 Btu/hr (gross)

Gas flow rate

Natural gas 2.12m³/hr
Propane gas 1.44kg/hr

Gas connection

R 3/4 (BSP) male
130mm from RH side, 20mm from rear, and 655mm from floor

Dimensions

Width 600mm
Depth 800mm
Height 915mm
Incl. splashback 1085mm

Nett weight

68kg

Packing data

0.85m³, 99kg
Width 710mm
Depth 955mm
Height 1250mm

Gas types

Available in Natural gas and Propane gas,
please specify when ordering
Other gas types on request

blue-seal.co.uk

United Kingdom

blue-seal.co.uk

Blue Seal Limited

Unit 67
Gravelly Business Park
Gravelly
Birmingham B24 8TQ
England
Telephone 0121-327 5575
Facsimile 0121-327 9711
sales@blue-seal.co.uk

Australia

moffat.com.au

Moffat Pty Limited

740 Springvale Road
Mulgrave, Victoria 3170
Australia
Telephone +613-9518 3888
Facsimile +613-9518 3833
vsales@moffat.com.au

New Zealand

moffat.co.nz

Moffat Limited

Rolleston
45 Illinois Drive
Izone Business Hub
Rolleston 7675
Telephone +64 3-983 6600
Facsimile +64 3-983 6660
sales@moffat.co.nz



ISO9001
Quality
Management
Standard

Designed and manufactured by



ISO9001

All Cobra products are designed and manufactured by Moffat using the internationally recognised ISO9001 quality management system, covering design, manufacture and final inspection, ensuring consistent high quality at all times.

In line with policy to continually develop and improve its products, Moffat Limited reserves the right to change specifications and design without notice.



© Copyright Moffat Ltd
UK.C.01.19 / 1622

an Ali Group Company



The Spirit of Excellence