

C9B

900mm Two Burner/Griddle Gas Cooktop



C9B

- 900mm wide
- 2 open burners
- 600mm griddle plate
- 22MJ open burner rating
- Flame failure standard on open burners
- Optional pilot and flame failure on open burners
- Cast iron burners and vitreous enamel potstands
- 2 griddle burner with pilot, flame failure and piezo ignition
- Griddle plate machine finished 12mm thickness
- Open cabinet base for extra storage
- Adjustable front feet and rear rollers
- Stainless steel finish
- Fully modular

Also Available



C9A



C9C



C9D

OVERALL CONSTRUCTION

- Cast iron open burner heads with vitreous enamelled cast iron caps
- Vitreous enamelled potstands
- Vitreous enamelled control panel
- 12mm machined surface mild steel griddle plates
- Stainless steel front, sides and splashback
- Stainless steel cabinet interior base
- Stainless steel spill tray
- Griddle section are standard on RH side only
- 63mm dia. stainless steel adjustable legs to front and two rollers at rear

CONTROLS

- Large easy use control knobs
- Variable high to low controls to open and griddle burners
- Flame failure standard on open burners
- Optional pilot and flame failure on open burners
- Griddles standard with pilot, flame failure and piezo ignition

CLEANING AND SERVICING

- Easy clean stainless steel exterior
- Vitreous enamelled potstands and burner caps
- Lift off open burner caps and removable burners
- Removable spill trays
- Stainless steel grease trays on griddle
- Access to all parts from front of unit

Matching Products



CW2H



CSP6



CN4



CT9



CW3H



CW1H



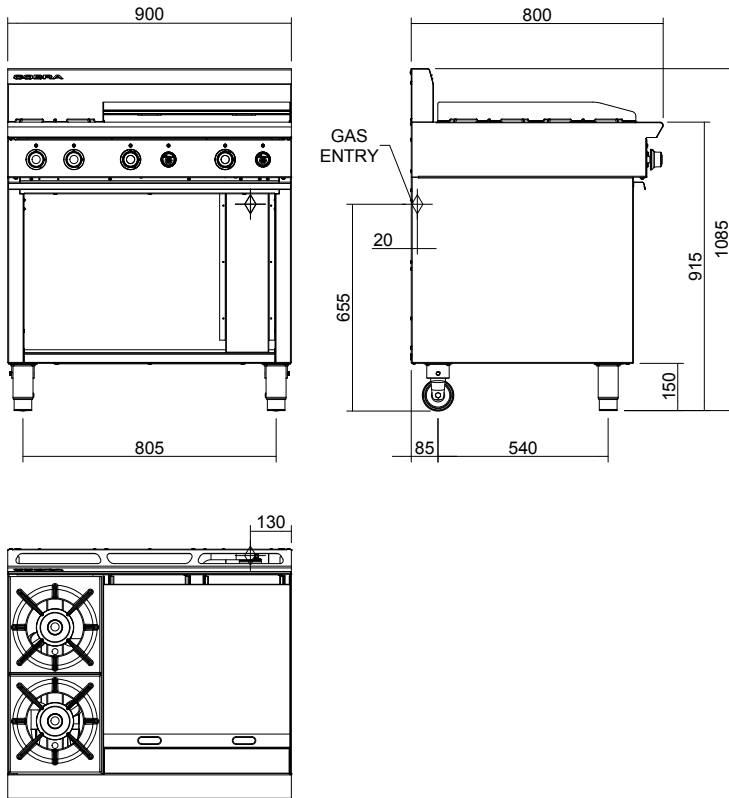
CP4



CS9 / C900-S

C9B

900mm Two Burner/Griddle Gas Cooktop



C9B

SPECIFICATIONS

Burners
 Open Burners;
 22MJ/hr, 5.5kW each
 Griddle Burners;
 20MJ/hr, 5.0kW per 300mm section

Gas power (gross)
 C9B 84MJ/hr, 23.3kW

Gas connection
 R 3/4 (BSP) male
 130mm from RH side, 20mm from rear, and 655mm from floor

Dimensions
 Width 900mm
 Depth 800mm
 Height 915mm
 Incl. splashback 1085mm

Nett weight
 89.5kg

Packing data
 1.21m³, 130kg
 Width 1010mm
 Depth 955mm
 Height 1250mm

Gas types
 Available in Natural gas and LP gas,
 please specify when ordering
 Other gas types on request

moffat.com.au
moffat.co.nz

Australia
moffat.com.au

Moffat Pty Limited

Victoria/Tasmania
 740 Springvale Road
 Mulgrave, Victoria 3170
 Telephone +613-9518 3888
 Facsimile +613-9518 3833
vsales@moffat.com.au

New South Wales
 Telephone +612-8833 4111
nswsales@moffat.com.au

South Australia
 Telephone +613-9518 3888
vsales@moffat.com.au

Queensland
 Telephone +617-3630 8600
qldsales@moffat.com.au

Western Australia
 Telephone +618-9413 2400
wasales@moffat.com.au

New Zealand
moffat.co.nz

Moffat Limited

Rolleston
 45 Illinois Drive
 Izone Business Hub
 Rolleston 7675
 Telephone +64 3-983 6600
 Facsimile +64 3-983 6660
sales@moffat.co.nz

Auckland
 Telephone +64 9-574 3150
sales@moffat.co.nz



ISO9001
 Quality
 Management
 Standard

Designed and manufactured by



ISO9001
 All Cobra products are designed and manufactured by Moffat using the internationally recognised ISO9001 quality management system, covering design, manufacture and final inspection, ensuring consistent high quality at all times.

In line with policy to continually develop and improve its products, Moffat Limited reserves the right to change specifications and design without notice.



Cert. No. AGA 7225G

an Ali Group Company



The Spirit of Excellence