

## C9D-B

### 900mm Six Burner Gas Cooktop Bench Model



C9D-B

- Countertop Bench Model
- 900mm wide
- 6 open burners
- 22MJ open burner rating
- Flame failure standard on open burners
- Optional pilot and flame failure on open burners
- Cast iron burners and vitreous enamel potstands
- Adjustable bench feet
- Stainless steel finish

#### Also Available



C9A-B



C9B-B



C9C-B

#### OVERALL CONSTRUCTION

- Cast iron open burner heads with vitreous enamelled cast iron caps
- Vitreous enamelled potstands
- Vitreous enamelled control panel
- Stainless steel front, sides and splashback
- Stainless steel spill tray
- 63mm dia. stainless steel adjustable bench feet

#### CONTROLS

- Large easy use control knobs
- Variable high to low controls to open burners
- Flame failure standard on open burners
- Optional pilot and flame failure on open burners

#### CLEANING AND SERVICING

- Easy clean stainless steel exterior
- Vitreous enamelled potstands and burner caps
- Lift off open burner caps and removable burners
- Removable spill trays
- Access to all parts from front of unit

#### Matching Products



CW2H



CSP6



CN4



CT9



CW3H



CW1H



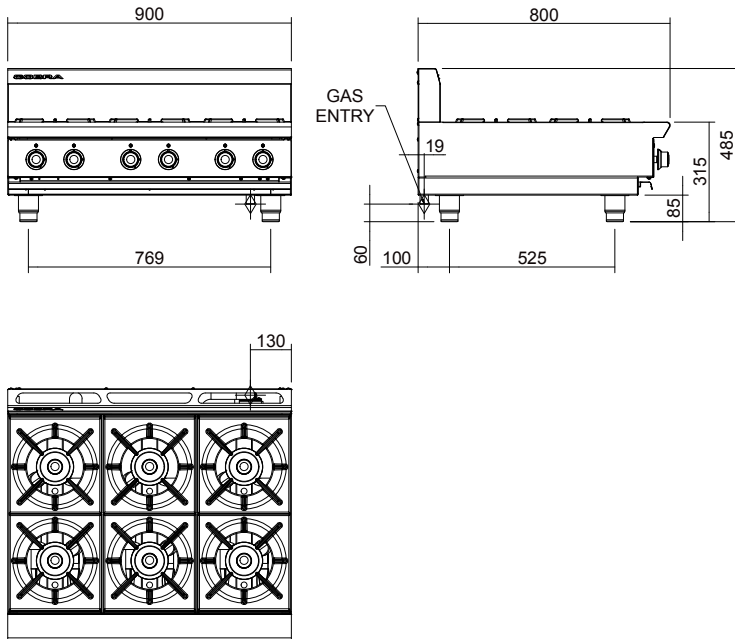
CP4



CS9 / C900-S

## C9D-B

### 900mm Six Burner Gas Cooktop Bench Model



C9D-B

#### SPECIFICATIONS

##### Burners

Open Burners;  
22MJ/hr, 5.5kW each

Gas power (gross)  
C9D 132MJ/hr, 36.7kW

Gas connection  
R 3/4 (BSP) male  
130mm from RH side, 20mm from rear, and 60mm from bench

##### Dimensions

Width 900mm  
Depth 800mm  
Height 315mm  
Incl. splashback 485mm  
Nett weight  
61.5kg

##### Packing data

0.72m<sup>3</sup>, 98kg  
Width 1010mm  
Depth 955mm  
Height 750mm

##### Gas types

Available in Natural gas and LP gas,  
please specify when ordering  
Other gas types on request

moffat.com.au  
moffat.co.nz

Australia  
moffat.com.au

Moffat Pty Limited

Victoria/Tasmania  
740 Springvale Road  
Mulgrave, Victoria 3170  
Telephone +613-9518 3888  
Facsimile +613-9518 3833  
vsales@moffat.com.au

New South Wales  
Telephone +612-8833 4111  
nswsales@moffat.com.au

South Australia  
Telephone +613-9518 3888  
vsales@moffat.com.au

Queensland  
Telephone +617-3630 8600  
qldsales@moffat.com.au

Western Australia  
Telephone +618-9413 2400  
wasales@moffat.com.au

New Zealand  
moffat.co.nz

Moffat Limited

Rolleston  
45 Illinois Drive  
Izone Business Hub  
Rolleston 7675  
Telephone +64 3-983 6600  
Facsimile +64 3-983 6660  
sales@moffat.co.nz

Auckland  
Telephone +64 9-574 3150  
sales@moffat.co.nz



ISO9001  
Quality  
Management  
Standard

Designed and manufactured by



ISO9001

All Cobra products are designed and manufactured by Moffat using the internationally recognised ISO9001 quality management system, covering design, manufacture and final inspection, ensuring consistent high quality at all times.

In line with policy to continually develop and improve its products, Moffat Limited reserves the right to change specifications and design without notice.

© Copyright Moffat Ltd  
AN.C.01.19 / 1598



Cert. No. AGA 7225G

an Ali Group Company



The Spirit of Excellence