

## CB9-B

### 900mm Gas Barbecue Bench Model



CB9-B

- Countertop Bench Model
- 900mm wide
- Stainless steel grease tray
- Reversible top grates
- Inclined position to reduce flare and enhance grease run
- 3 x 9kW aluminised burners
- Flame failure protection with continuous pilot burner and piezo ignition
- Lift out grates, radiants and baffles for cleaning
- Adjustable bench feet
- Stainless steel finish

#### OVERALL CONSTRUCTION

- Six 135mm wide x 550mm long reversible cast iron top grates
- Cast iron burner radiants and aluminised steel baffles
- Aluminised steel burners
- Stainless steel front, sides and splashback
- Vitreous enamelled control panel
- Stainless steel grease tray
- 63mm dia. stainless steel adjustable bench feet

#### CONTROLS

- Large easy use control knobs
- Dual controls with variable high to low burner setting
- Pilot, flame failure and piezo ignition to each burner

#### CLEANING AND SERVICING

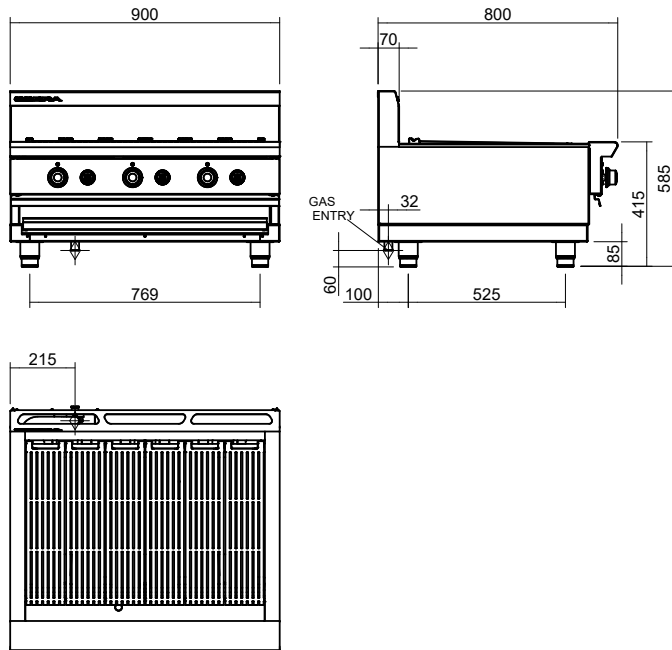
- Lift out radiants, burners and grease tray baffles
- Lift out stainless steel top grate and radiant supports
- Easy clean stainless steel exterior
- Access to all parts from front of unit

#### Matching Products



## CB9-B

### 900mm Gas Barbecue Bench Model



CB9-B

#### SPECIFICATIONS

**Burners**  
3 x 9.0kW U-burners

**Gas power**  
Natural gas  
27.0kW (nett), 102,310 Btu/hr (gross)  
Propane gas  
27.0kW (nett), 100,140 Btu/hr (gross)

**Gas flow rate**  
Natural gas 2.86m<sup>3</sup>/hr  
Propane gas 2.10kg/hr

**Cooking surface area**  
800mm x 540mm, 4320cm<sup>2</sup>

**Gas connection**  
R 1/2 (BSP) male  
215mm from LH side, 32mm from rear, and 60mm from bench

**Dimensions**  
Width 900mm  
Depth 800mm  
Height 415mm  
Incl. splashback 585mm

**Nett weight**  
103kg

**Packing data**  
0.72m<sup>3</sup>, 138.5kg  
Width 1010mm  
Depth 955mm  
Height 750mm

**Gas types**  
Available in Natural gas and Propane gas,  
please specify when ordering  
Other gas types on request

[blue-seal.co.uk](http://blue-seal.co.uk)

United Kingdom  
[blue-seal.co.uk](http://blue-seal.co.uk)

Blue Seal Limited  
Unit 67  
Gravelly Business Park  
Gravelly  
Birmingham B24 8TQ  
England  
Telephone 0121-327 5575  
Facsimile 0121-327 9711  
[sales@blue-seal.co.uk](mailto:sales@blue-seal.co.uk)

Australia  
[moffat.com.au](http://moffat.com.au)

Moffat Pty Limited  
740 Springvale Road  
Mulgrave, Victoria 3170  
Australia  
Telephone +613-9518 3888  
Facsimile +613-9518 3833  
[vsales@moffat.com.au](mailto:vsales@moffat.com.au)

New Zealand  
[moffat.co.nz](http://moffat.co.nz)

Moffat Limited  
Rolleston  
45 Illinois Drive  
Izone Business Hub  
Rolleston 7675  
Telephone +64 3-983 6600  
Facsimile +64 3-983 6660  
[sales@moffat.co.nz](mailto:sales@moffat.co.nz)



ISO9001  
Quality  
Management  
Standard

Designed and manufactured by



ISO9001

All Cobra products are designed and manufactured by Moffat using the internationally recognised ISO9001 quality management system, covering design, manufacture and final inspection, ensuring consistent high quality at all times.

In line with policy to continually develop and improve its products, Moffat Limited reserves the right to change specifications and design without notice.



© Copyright Moffat Ltd  
UK.C.01.19 / 1622

an Ali Group Company



The Spirit of Excellence