

DUO**DUO1215**

Manual Dual Thickness Slicer

Product Features

- Sturdy and compact design
- Suits all bread types
- 12/15mm slice thickness
- Progressive traction lever on loaf pusher
- Rear safety cover for operator safety
- Easy to empty crumb tray in front of machine
- Perfect blade tension for even slice thickness
- Approximate output 250 loaves per hour.

**DUO1215**

Sourced from the leading equipment manufacturers globally, the Paramount brand is renowned for quality equipment at an affordable price point. With a range including spiral dough mixers, hydraulic dividers, bun divider rounders, provers, deck and rotating ovens, bread slicers, planetary mixers and dough sheeters, Paramount offers solutions to your production requirements. Designed to withstand the demands of the modern bakery environment, the Paramount brand offers many years of trouble free operation.

Available as basic bench top units to high volume floor model slicers, we are sure to have the right solution to meet your requirements. All slicers are available in a range of slice thicknesses to suit your slicing needs.

DUO

DUO1215

Manual Dual Thickness Slicer

Model DUO1215

Slice thickness 12-15mm
Output 250 loaves per hour

Dimensions

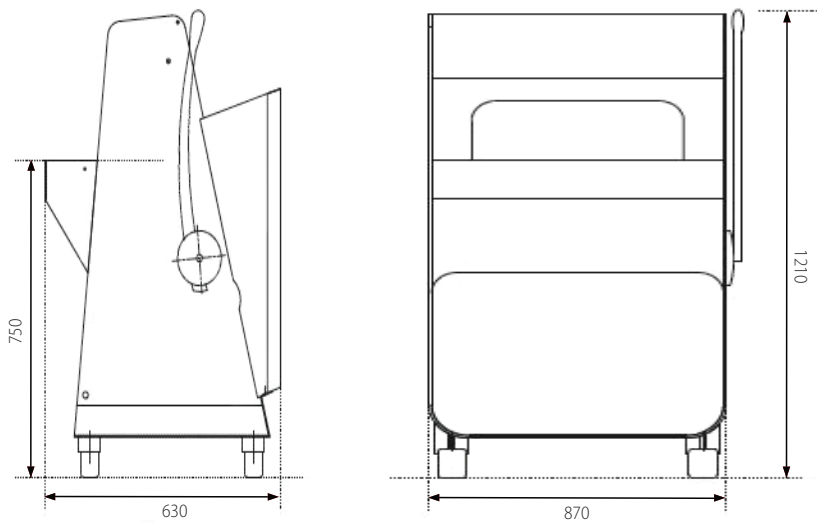
Width 870mm
Depth 630mm
Height 1210mm

Electrical Requirements

220-240V, 1P+N+E, 50Hz 0.55kW
Nett Weight 230kg

Additional Information

power outlet to be located at a minimum 1500mm off the floor



moffat.com.au
moffat.co.nz

Australia
moffat.com.au

Moffat Pty Limited

Victoria/Tasmania
740 Springvale Road
Mulgrave, Victoria 3170
Telephone +613-9518 3888
Facsimile +613-9518 3833
vsales@moffat.com.au

New South Wales
Telephone +612-8833 4111
nswsales@moffat.com.au

South Australia
Telephone +613-9518 3888
vsales@moffat.com.au

Queensland
Telephone +617-3630 8600
qldsales@moffat.com.au

Western Australia
Telephone +618-9413 2400
wasales@moffat.com.au

New Zealand
moffat.co.nz

Moffat Limited

Rolleston
45 Illinois Drive
Izone Business Hub
Rolleston 7675
Telephone +64 3-983 6600
Facsimile +64 3-983 6660
sales@moffat.co.nz

Auckland
Telephone +64 9-574 3150
sales@moffat.co.nz



In line with policy to continually develop and improve its products, Moffat Limited reserves the right to change specifications and design without notice.

© Copyright Moffat Ltd
AN.P.01.21