

Technical data sheet for

## E22M3 DOUBLE STACKED

Half Size Manual / Electric Convection Ovens

Double Stacked on a Stainless Steel Base Stand



Model E22M3/2C shown



### E22M3/2 E22M3/2C

E22M3 ovens shall be Moffat electrically heated Turbofan convection ovens E.T.L. listed and NSF-4 listed. The ovens shall have a one piece porcelain enameled oven chamber, stainless top and sides and safe touch vented easy clean drop down door. Ovens shall have capacity for three half size sheet pans. The ovens shall have a single direction low velocity fan system. The ovens shall be controlled by a mechanical thermostat with a range of 150-500°F / 50-260°C, and 60 minute bake timer. Ovens shall be fitted with a NEMA 5-15P cordset. Ovens shall be double stacked using Double Stacking Kits DSK2223 (adjustable feet option) or DSK2223C (castor option). Units shall be supplied in 100% recyclable shipping packaging.

Double stack models are supplied as two individual ovens and a double stacking kit for field assembly.

E22M3/2 - Double stack with adjustable feet base stand

E22M3/2C - Double stack with castor base stand

#### DOUBLE STACK FEATURES

- Two 3 half size ovens
- Compact 24"/ 610mm width
- Full stainless steel base stand
- Full stainless steel oven spacer frame
- Adjustable feet or castor models
- Guard rail for bottom oven

#### OVEN FEATURES (each)

- 3 half size sheet pan capacity
- 2 $\frac{5}{8}$ " / 70mm tray spacing
- Single direction low-velocity fan
- 1.5kW heating power
- 110-120V plug-in 15A NEMA 5-15P cordset fitted
- Porcelain enameled oven chamber
- Plug-in continuous oven door seal
- Safe-Touch vented drop down door
- Stay-Cool door handle
- Heavy-duty door hinges
- Easy clean door glass system
- Mechanical thermostat 150-500°F / 50-260°C
- 60 minute timer with time up alarm
- 3 oven wire racks supplied

#### E22M3/2 E22M3/2C Half Size Manual / Electric Convection Ovens Double Stacked on a Stainless Steel Base Stand

##### CONSTRUCTION - OVENS

Porcelain enameled fully welded oven chamber  
Stainless steel front, sides and top exterior  
Stainless steel oven fan baffle  
Removable 3 position chrome plated wire side racks  
Oven racks chrome plated wire (3 supplied)  
Stainless steel frame drop down hinged door  
0.2" / 5mm thick door outer glass  
0.2" / 5mm thick low energy loss door inner glass  
Heavy-duty counterbalanced door hinges  
Wear resistant powder coated welded door handle  
Stainless steel control panel  
Aluminized coated steel base and rear panels

##### CONSTRUCTION - DOUBLE STACKING KIT

All stainless steel construction  
Welded 1½" and 1¼" square tube front and rear frame base stand  
4 adjustable feet on E22M3/2  
4 dia. 3" / 76mm swivel castors with 2 front castors dual wheel  
and swivel lock on E22M3/2C  
Stainless steel oven spacer frame  
Aluminized steel bottom oven vent extension

##### CONTROLS (each oven)

Power ON control panel indicator  
Mechanical thermostat 150-500°F / 50-260°C  
Heating ON control panel indicator  
Manual 60 minute timer  
Time-Up control panel indicator and buzzer

##### CLEANING

Stainless steel top and sides continuous exterior panel  
Porcelain enameled oven chamber  
Fully removable chrome plated oven side racks  
Removable stainless steel oven fan baffle  
Easy clean door system with hinge out door inner glass  
(no tools required)  
Removable plug-in oven door seal (no tools required)

##### SPECIFICATIONS

Electrical Requirements (each oven)  
110-120V, 50/60Hz, 1-phase, 1.5kW, 12A  
NEMA 5-15P cordset fitted

##### External Dimensions

Width 24" / 610mm  
Height 57½" / 1461mm (E22M3/2)  
60¾" / 1543mm (E22M3/2C)  
Depth 25⅝" / 645mm

##### Oven Internal Dimensions (each oven)

Width 19½" / 495mm  
Height 10" / 250mm  
Depth 13⅜" / 340mm  
Volume 1.48ft³ / 0.042m³

##### Oven Rack Dimensions

Width 18" / 460mm  
Depth 13" / 330mm

Nett Weight (double stack complete)  
192lbs / 87kg

##### Packing Data (E22M3 ovens each)

106lbs / 48kg  
12ft³ / 0.34m³  
Width 29½" / 750mm  
Height 27¾" / 705mm  
Depth 25" / 635mm

##### Packing Data (Stacking Kit)

33lbs / 15kg (DSK2223 - adjustable feet)  
40lbs / 18kg (DSK2223C - castor)  
2.8ft³ / 0.08m³  
Width 23¼" / 590mm  
Height 33⅜" / 840mm  
Depth 6¼" / 160mm

Supplied CKD for assembly on site

##### INSTALLATION CLEARANCES

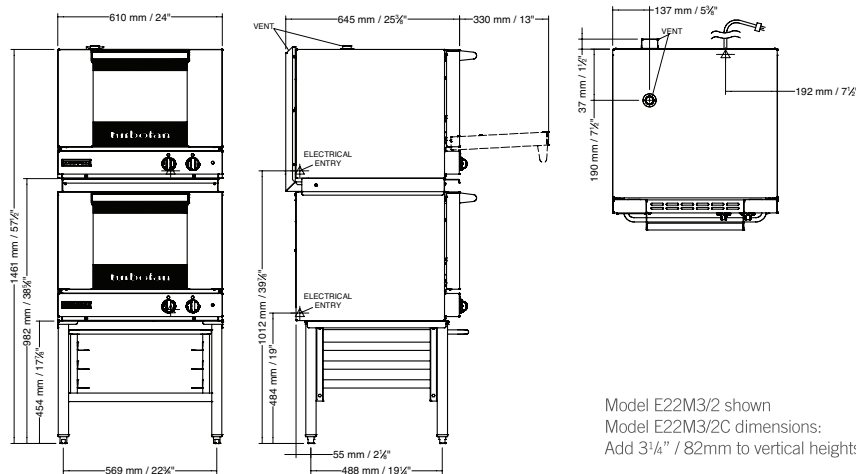
Rear 1" / 25mm  
LH Side 1" / 25mm  
RH Side 1" / 25mm

##### CLEARANCE FROM SOURCES OF HEAT

A minimum distance of 12" / 300mm from the appliance sides is required

##### Double Stacking Kits

For after market double stacking two E22M3 convection ovens  
DSK2223 - Double stacking kit - adjustable feet  
DSK2223C - Double stacking kit - castor



Model E22M3/2 shown  
Model E22M3/2C dimensions:  
Add 3¼" / 82mm to vertical heights



www.moffatusa.com  
www.turbofanoven.com

##### U.S.A.

Moffat Inc  
3760 Industrial Drive, Suite B  
Winston-Salem  
NC 27105-2637  
Ph Toll Free 1-800-551 8795  
Ph 336-661 0257  
Fax 336-661 9546  
Email sales@moffat.com  
www.moffatusa.com

Manufactured by:  
Moffat Limited  
45 Illinois Drive, Izone Business Hub  
Rolleston 7675, New Zealand



Designed and manufactured by



##### ISO9001

All Turbofan products are designed and manufactured by Moffat using the internationally recognised ISO9001 quality management system, covering design, manufacture and final inspection, ensuring consistent high quality at all times.

In line with policy to continually develop and improve its products, Moffat Limited reserves the right to change specifications and design without notice.

© Copyright Moffat Ltd  
US.TFN.S.1701



an Ali Group Company



The Spirit of Excellence