

Technical data sheet for

## E27T3 ON THE SK2728TN / SK2728TU STAND

Full Size Electric Convection Oven

TOUCH SCREEN CONTROL on a Stainless Steel Stand



### E27T3

Unit shall be a Moffat electrically heated Turbofan convection oven. The oven shall have a one piece vitreous enamel oven chamber, stainless top and sides and safe touch vented easy clean drop down door. Oven shall have capacity for three full size sheet pans. The oven shall have 4.5kW heating elements. The oven shall have a bi-directional single reversing fan system. The oven shall feature a programmable Touch Screen menu controller, and feature dual halogen oven lamps. Oven shall be able to be bench mounted on 76mm feet or mounted on oven stand models SK2728TN or SK2728TU. Unit shall be supplied in 100% recyclable shipping packaging.

### SK2728TN

Unit shall be a Moffat Turbofan stainless steel oven stand. The stand shall be constructed from stainless steel tube with castors, with front castors having dual swivel and wheel locks. It shall be fitted with 6 tray runners suitable for up to 600 x 400 trays and GN 1/1 pans. The stand shall be fully compatible with, and support, Turbofan Convection Oven models E27T2, E27T3 and E28T4.

Unit shall be supplied in 100% recyclable shipping packaging.

### SK2728TU

Unit shall be a Moffat Turbofan stainless steel oven stand. The stand shall be constructed from stainless steel tube with castors, with front castors having dual swivel and wheel locks. It shall be fitted with 6 tray runners suitable for up to 12 half size sheet pans or 6 full size sheet pans. The stand shall be fully compatible with, and support, Turbofan Convection Oven models E27T2, E27T3 and E28T4. Unit shall be supplied in 100% recyclable shipping packaging.

### STANDARD FEATURES

- 3 460mm x 660mm / 18" x 26" full size sheet pan capacity
- 3 400mm x 600mm tray capacity
- 85mm tray spacing
- 945mm width
- Touch Screen control
- Icon driven program menu
- USB port for program/icon updating
- Individual shelf timers
- Multi-stage programs
- Steam injection mode and manual injection
- Bi-directional reversing fan system
- 4.5kW heating power
- Vitreous enamel oven chamber
- Plug-in continuous oven door seal
- Safe-Touch vented drop down door
- Stay-Cool door handle
- Heavy-duty door hinges
- Easy clean door glass system
- Dual halogen oven lamps
- Dia. 180mm full stainless steel oven fan
- Anti-skid 50mm dia. 76mm high adjustable stainless steel feet
- 3 oven wire racks supplied
- 100% recyclable packaging

### ACCESSORIES

- Turbofan SK2728TN Oven Stand suits 400mm x 600mm trays and GN 1/1 pans
- Turbofan SK2728TU Oven Stand suits 460mm x 660mm / 18" x 26" pans

# turbofan®

### E27T3 Full Size Electric Convection Oven TOUCH SCREEN CONTROL on a Stainless Steel Stand

#### CONSTRUCTION

Vitreous enameled fully welded oven chamber  
 Stainless steel front, sides and top exterior  
 Stainless steel oven fan baffle and oven vent  
 Removable 3 position chrome plated wire side racks  
 Oven racks chrome plated wire (3 supplied)  
 Stainless steel frame drop down hinged door  
 5mm thick door outer glass  
 5mm thick low energy loss door inner glass  
 Heavy-duty counterbalanced door hinges  
 Wear resistant powder coated welded door handle  
 Stainless steel control panel  
 Aluminised coated steel base and rear panels

#### CONTROLS

5.7" LED backlit touch screen  
 Icon driven program menu  
 BMP image icon imports via USB port  
 Temperature range 50-260°C  
 Individual shelf timers  
 Multi-stage programs  
 Over-temperature safety cut-out

#### CLEANING

Stainless steel top and sides continuous exterior panel  
 Vitreous enameled oven chamber  
 Fully removable chrome plated oven side racks  
 Removable stainless steel oven fan baffle  
 Full stainless steel oven fan  
 Easy clean door system with hinge out door inner glass (no tools required)  
 Removable plug-in oven door seal (no tools required)  
 76mm high stainless steel feet for easy access underside

#### SPECIFICATIONS

Electrical Requirements  
 230-240V, 50Hz, 1P+N+E, 4.7kW, 19.6A  
 No cordset supplied

#### Water Requirements (optional)

Cold water connection ¾" BSP male  
 80psi maximum inlet pressure / 20psi minimum inlet pressure

#### External Dimensions

Width 945mm  
 Height 512mm including 76mm feet  
 Depth 762mm

#### Oven Internal Dimensions

Width 695mm  
 Height 305mm  
 Depth 470mm  
 Volume 0.10m<sup>3</sup>

#### Oven Rack Dimensions

Width 660mm  
 Depth 460mm  
 Nett Weight (E27T3) 61.9kg  
 Packing Data (E27T3) 79.5kg  
 0.57m<sup>3</sup>  
 Width 875mm  
 Height 640mm  
 Depth 1010mm

### SK2728TN/TU Stainless Steel Stand

All stainless steel welded frame oven stand for Turbofan E27T and E28T Series model ovens

6 position tray runners standard  
 76mm diameter wheel swivel castors standard with 2 front castors with dual swivel and wheel  
 Welded 38mm and 32mm square tube front and rear frames  
 Welded rack supports/side frames  
 4 dia. 76mm swivel castors with 2 front castors dual wheel and swivel lock  
 Top frame oven supports suit Turbofan E27T and E28T Series oven mounting  
 Supplied CKD for assembly on site

#### External Dimensions (SK2728TN/TU Oven Stand)

Width 945mm  
 Height 880mm  
 Depth 650mm

Nett Weight (SK2728TN/TU Oven Stand) 20.5kg

#### Packing Data (SK2728TN/TU Oven Stand)

23kg  
 4.6ft<sup>3</sup> / 0.13m<sup>3</sup>  
 Width 955mm  
 Height 900mm  
 Depth 152mm

#### INSTALLATION CLEARANCES

Rear 25mm  
 LH Side 25mm  
 RH Side 25mm

#### CLEARANCE FROM SOURCES OF HEAT

A minimum distance of 300mm from the appliance sides is required



Australia  
[www.moffat.com.au](http://www.moffat.com.au)  
 New Zealand  
[www.moffat.co.nz](http://www.moffat.co.nz)  
[www.turbofanoven.com](http://www.turbofanoven.com)

Australia  
 Moffat Pty Limited

Victoria/Tasmania  
 740 Springvale Road  
 Mulgrave, Victoria 3170  
 Telephone +61 3-9518 3888  
 Facsimile +61 3-9518 3833  
[vsales@moffat.com.au](mailto:vsales@moffat.com.au)

New South Wales  
 Telephone +61 2-8833 4111  
[nswsales@moffat.com.au](mailto:nswsales@moffat.com.au)

South Australia  
 Telephone +61 3-9518 3888  
[vsales@moffat.com.au](mailto:vsales@moffat.com.au)

Queensland  
 Telephone +61 7-3630 8600  
[qldsales@moffat.com.au](mailto:qldsales@moffat.com.au)

Western Australia  
 Telephone +61 8-9413 2400  
[wasaless@moffat.com.au](mailto:wasaless@moffat.com.au)

New Zealand  
 Moffat Limited

Christchurch  
 45 Illinois Drive  
 Izone Business Hub  
 Rolleston 7675  
 Telephone +64 3-983 6600  
 Facsimile +64 3-983 6660  
[sales@moffat.co.nz](mailto:sales@moffat.co.nz)

Auckland  
 Telephone +64 9-574 3150  
[sales@moffat.co.nz](mailto:sales@moffat.co.nz)

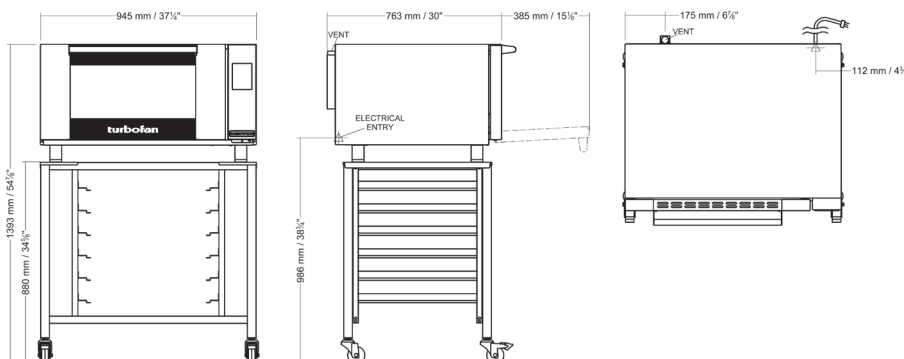


Designed and manufactured by

ISO9001  
 All Turbofan products are designed and manufactured by Moffat using the internationally recognised ISO9001 quality management system, covering design, manufacture and final inspection, ensuring consistent high quality at all times.

In line with policy to continually develop and improve its products, Moffat Limited reserves the right to change specifications and design without notice.

© Copyright Moffat Ltd  
 AN.TFN.S.1901



an Ali Group Company



The Spirit of Excellence