

Single Pan Gas Fryer 600mm

FNLB8130G



OVERALL CONSTRUCTION

- Stainless steel pan with 10 year limited warranty
- Bull nose welded 1.5mm 304 stainless steel
- Splashback 1.5mm 304 stainless steel
- Side panels 1.2mm 304 stainless steel
- Double skin door with 0.9mm 304 stainless exterior
- 32mm (1¼") drain valve
- 150mm legs in 63mm dia. heavy-duty 1.2mm 304 stainless steel with adjustable feet
- 3 baskets and stainless steel lid supplied standard

CONTROLS

- Direct action thermostat reacts to + or - 1.0°C
- Thermostat range 145 - 195°C
- Over-temperature safety cut-out
- Millivolt gas valve system (no electrical supply)
- Flame failure protection on each pilot
- Piezo ignition to standing pilot burners

CLEANING AND SERVICING

- Open stainless steel pan for easy clean
- Easy clean basket support bar
- 32mm (1½") drain valve for effective draining
- Easy clean stainless steel exterior
- Access to all parts from front of unit

- High performance single pan fish fryer
- Patented infra-red burner system
- Easy clean stainless steel open pan with 10 year limited warranty
- 31L oil capacity
- 2 large or 3 standard basket capacity
- Large capacity cool zone
- 32mm (1¼") drain valve
- Stainless steel exterior
- Black vitreous enamel finish to front panels
- Easy service
- Fully modular

Series Options

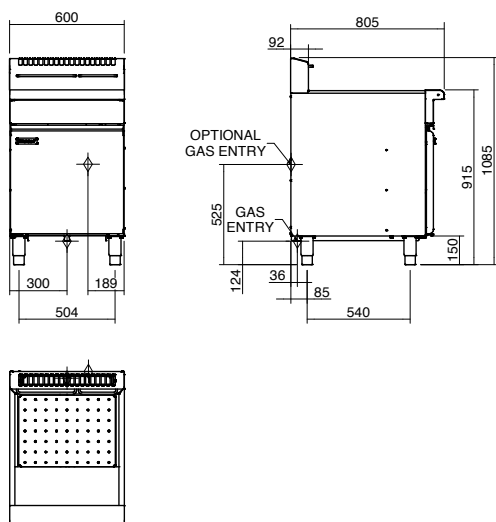
FNLB - Low back models

FNB - 215mm splashback option

Waldorf Bold

Single Pan Gas Fryer 600mm

FNLB8130G



SPECIFICATIONS

Production rate

31kg/hr

Pan Size

Oil capacity 31L (46.5lbs shortening)

Width 515mm

Length 380mm

Oil frying depth 95mm

Baskets

3 chrome plated wire baskets

140mm W x 335mm D x 145mm H

Optional 2 chrome plated large wire baskets

210mm W x 335mm D x 145mm H

Stainless steel perforated basket support plate

Burners

2 x 45MJ/hr infra-red burners

Gas power (gross)

90MJ/hr, 25kW

Gas connection

R 3/4 (BSP) male

300mm from RH side, 35mm from rear,
and 125mm from floor

Optional rear connection

(refer specification drawing)

All units incorporate Natural and LP gas
regulator

Dimensions

Width 600mm

Depth 805mm

Height 915mm

Incl. low back 1085mm

Incl. splashback option 1130mm

Nett weight

95kg nett

Packing data

0.70m³, 143kg

Width 870mm

Depth 645mm

Height 1255mm

Gas types

Available in Natural gas and LP gas

Please specify when ordering

Units supplied complete with gas type
conversion kits

Other gas types on request

OPTIONS AT EXTRA COST

Waldorf Filtamax filtration system

Fish plates

Extra standard baskets

Large baskets

Side splash guards

Joining caps

Castors

Plinth mounting

MOFFAT

moffat.com.au

moffat.co.nz

Australia

moffat.com.au

Moffat Pty Limited

Victoria/Tasmania
740 Springvale Road
Mulgrave, Victoria 3170
Telephone +613-9518 3888
Facsimile +613-9518 3833
vsales@moffat.com.au

New South Wales
Telephone +612-8833 4111
nswsales@moffat.com.au

South Australia
Telephone +613-9518 3888
vsales@moffat.com.au

Queensland
Telephone +617-3630 8600
qldsales@moffat.com.au

Western Australia
Telephone +618-9413 2400
wasales@moffat.com.au

New Zealand

moffat.co.nz

Moffat Limited

Rolleston
45 Illinois Drive
Izone Business Hub
Rolleston 7675
Telephone +64 3-983 6600
Facsimile +64 3-983 6660
sales@moffat.co.nz

Auckland
Telephone +64 9-574 3150
sales@moffat.co.nz



ISO9001
Quality
Management
Standard

Designed and manufactured by



ISO9001

All Waldorf Bold products are designed
and manufactured by Moffat using the
internationally recognised ISO9001 quality
management system, covering design,
manufacture and final inspection, ensuring
consistent high quality at all times.

In line with policy to continually develop
and improve its products, Moffat
Limited reserves the right to change
specifications and design without notice.

© Copyright Moffat Ltd
AN.WBD.S.02.19

an Ali Group Company



The Spirit of Excellence