

# Proveno 4G Steam Combi Jacketed Kettle

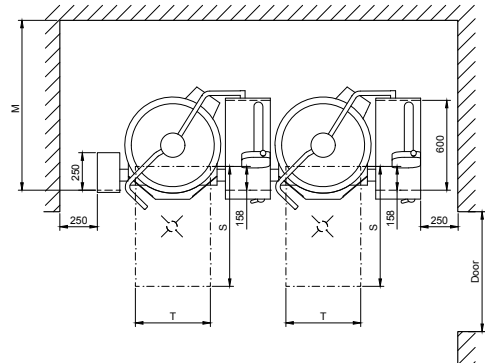
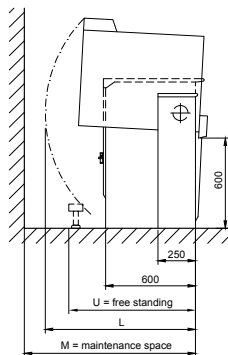
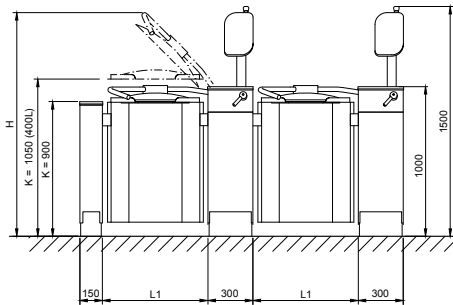
## Proveno 4G Combi 150S (4224328)

### Standard Features

- Proveno kettle with integrated mixer
- Steam heated version
- Stepless mixing speed 15-140 rpm/min, auto-reverse
- Elevated control pillar with guiding touch panel
- Safety grid lid
- Audiovisual signals for user
- Multi-function timer
- ProTemp – real time temperature control, food and jacket temperature separately controlled
- Delta T cooking – temperature of jacket rises accordingly when food temperature rises
- Programming on screen, unlimited number of programs and program phases, favourite pages, wash programs
- Automatic measured water filling
- Electric tilting - tilting height 600mm
- Tilting while mixing function
- Auto tilt-back
- Measuring stick
- Retractable handshower
- Strainer plate
- USB Port on control panel
- Diagnostics for maintenance
- Unit shown includes free standing floor kit - other options available



Please refer to Moffat price list for options and accessories



### Technical Data

Net Volume 150 L  
 Spare Volume 19 L  
 Gross Volume 169 L  
 Dimensions  
 Width 1360mm  
 Height 1535mm  
 Depth 969mm  
 Connections  
 Water Cold ø15mm  
 Hot ø15mm  
 Steam R 1" 45 kg/h  
 Cond. Outlet R ¾"

Electrical Power 3.9 kW  
 Voltage 230V,  
 1P+N+E 50/60Hz  
 AMP 20A  
 Total Heat 24kW  
 Load Latent 1.0 kW,  
 Sensible 4.3 kW  
 Waste By kitchen  
 contractor  
 Nett Weight 320 kg

Model	L1 mm	H mm	L mm	M mm	U mm	T mm	Door mm
150S	910	1945	1075	1170	1110	600	1000

**Australia**  
[moffat.com.au](http://moffat.com.au)  
**Moffat Pty Limited**  
 740 Springvale Road  
 Mulgrave  
 Victoria 3170  
 Australia  
 Telephone +613-9518 3888  
 Facsimile +613-9518 3833  
[vsales@moffat.com.au](mailto:vsales@moffat.com.au)

**New Zealand**  
[moffat.co.nz](http://moffat.co.nz)  
**Moffat Limited**  
 45 Illinois Drive  
 Izone Business Hub  
 Rolleston 7675  
 New Zealand  
 Telephone +64 3-983 6600  
 Facsimile +64 3-983 6660  
[sales@moffat.co.nz](mailto:sales@moffat.co.nz)



Disclaimer: All unit capacities are based on subjective testing. Moffat accepts no liability for production values. In line with policy to continually develop and improve its products, Moffat Limited reserves the right to change specifications and design without notice.

© Copyright Moffat Ltd  
 AN-MET-S-2001