

Proveno 4G Steam Combi Jacketed Kettle

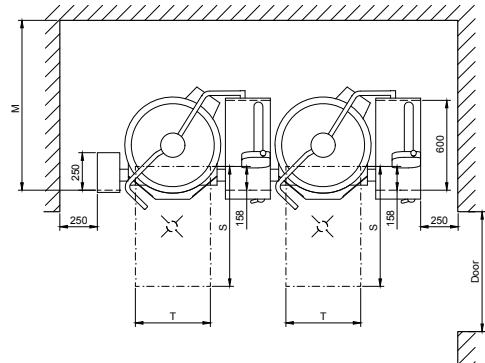
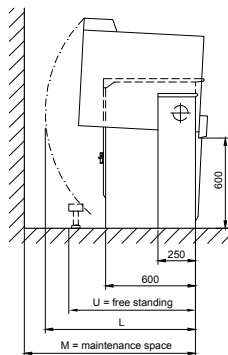
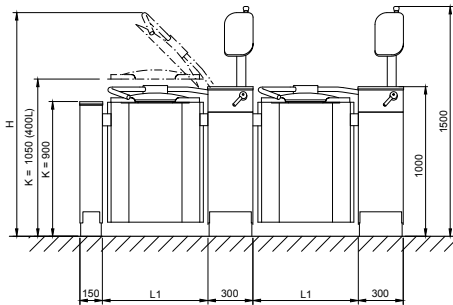
Proveno 4G Combi 200S (4224330)

Standard Features

- Proveno kettle with integrated mixer
- Steam heated version
- Stepless mixing speed 15-140 rpm/min, auto-reverse
- Elevated control pillar with guiding touch panel
- Safety grid lid
- Audiovisual signals for user
- Multi-function timer
- ProTemp – real time temperature control, food and jacket temperature separately controlled
- Delta T cooking – temperature of jacket rises accordingly when food temperature rises
- Programming on screen, unlimited number of programs and program phases, favourite pages, wash programs
- Automatic measured water filling
- Electric tilting - tilting height 600mm
- Tilting while mixing function
- Auto tilt-back
- Measuring stick
- Retractable handshower
- Strainer plate
- USB Port on control panel
- Diagnostics for maintenance
- Unit shown includes free standing floor kit - other options available



Please refer to Moffat price list for options and accessories



Technical Data

Net Volume 200 L
Spare Volume 19 L
Gross Volume 219 L

Dimensions

Width 1360mm
Height 1535mm
Depth 969mm

Connections

Water Cold ø15mm
Hot ø15mm
Steam R 1¼" 60 kg/h
Cond. Outlet R ¾"

Electrical Power 5.0 kW
Voltage 400-415V,
3P+N+E 50/60Hz
AMP 20A

Total Heat Load 34kW
Latent 1.4 kW,
Sensible 6.1 kW

Waste By kitchen contractor
Nett Weight 345 kg

Model	L1 mm	H mm	L mm	M mm	U mm	T mm	Door mm
200S	910	1945	1155	1285	1110	600	1000

Australia
moffat.com.au
Moffat Pty Limited
740 Springvale Road
Mulgrave
Victoria 3170
Australia
Telephone +613-9518 3888
Facsimile +613-9518 3833
vsales@moffat.com.au

New Zealand
moffat.co.nz
Moffat Limited
45 Illinois Drive
Izone Business Hub
Rolleston 7675
New Zealand
Telephone +64 3-983 6600
Facsimile +64 3-983 6660
sales@moffat.co.nz



Disclaimer: All unit capacities are based on subjective testing. Moffat accepts no liability for production values. In line with policy to continually develop and improve its products, Moffat Limited reserves the right to change specifications and design without notice.

© Copyright Moffat Ltd
AN-MET-S-2001