

Proveno 4G Steam Combi Jacketed Kettle

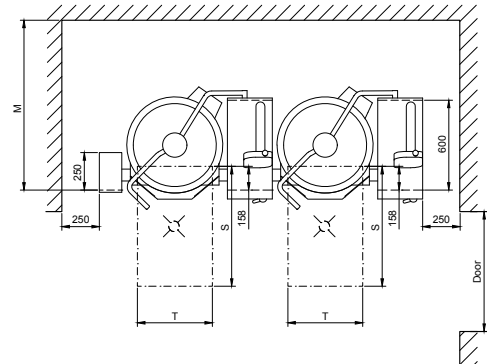
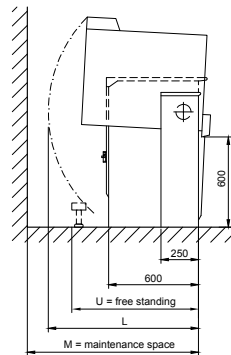
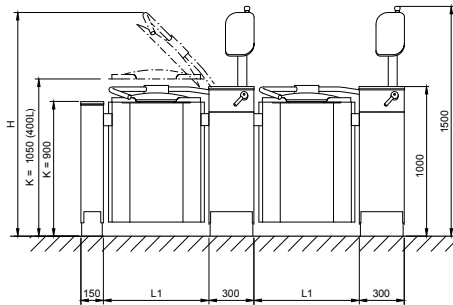
Proveno 4G Combi 80S (4224324)

Standard Features

- Proveno kettle with integrated mixer
- Steam heated version
- Stepless mixing speed 15-140 rpm/min, auto-reverse
- Elevated control pillar with guiding touch panel
- Safety grid lid
- Audiovisual signals for user
- Multi-function timer
- ProTemp – real time temperature control, food and jacket temperature separately controlled
- Delta T cooking – temperature of jacket rises accordingly when food temperature rises
- Programming on screen, unlimited number of programs and program phases, favourite pages, wash programs
- Automatic measured water filling
- Electric tilting - tilting height 600mm
- Tilting while mixing function
- Auto tilt-back
- Measuring stick
- Retractable handshower
- Strainer plate
- USB Port on control panel
- Diagnostics for maintenance
- Unit shown includes free standing floor kit - other options available



Please refer to Moffat price list for options and accessories



Technical Data

Net Volume 80 L	Electrical	Power 2.3 kW
Spare Volume 11 L		Voltage 230V,
Gross Volume 91 L		1P+N+E 50/60Hz
Dimensions		AMP 15A
Width 1154mm	Total Heat	20kW
Height 1535mm	Load	Latent 0.8 kW,
Depth 750mm		Sensible 3.4 kW
Connections	Waste	By kitchen
Water Cold ø15mm		contractor
Hot ø15mm	Nett Weight	230 kg
Steam R ¾" 24 kg/h		
Cond. Outlet R ½"		

Model	L1 mm	H mm	L mm	M mm	U mm	T mm	Door mm
80S	704	1745	1010	1235	890	500	800

Australia
moffat.com.au
Moffat Pty Limited
 740 Springvale Road
 Mulgrave
 Victoria 3170
 Australia
 Telephone +613-9518 3888
 Facsimile +613-9518 3833
 vsales@moffat.com.au

New Zealand
moffat.co.nz
Moffat Limited
 45 Illinois Drive
 Izone Business Hub
 Rolleston 7675
 New Zealand
 Telephone +64 3-983 6600
 Facsimile +64 3-983 6660
 sales@moffat.co.nz



Disclaimer: All unit capacities are based on subjective testing. Moffat accepts no liability for production values. In line with policy to continually develop and improve its products, Moffat Limited reserves the right to change specifications and design without notice.

© Copyright Moffat Ltd
 AN-MET-S-2001