

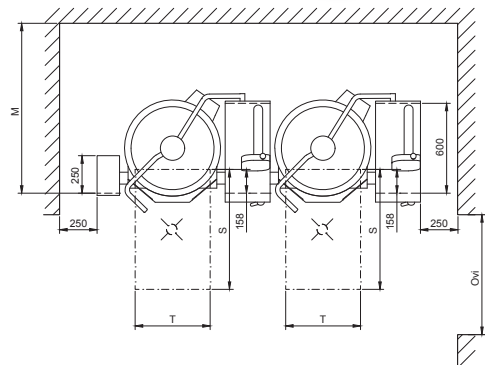
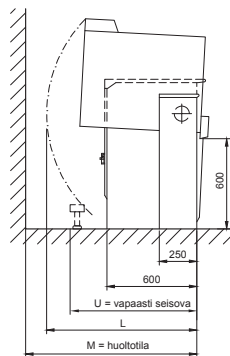
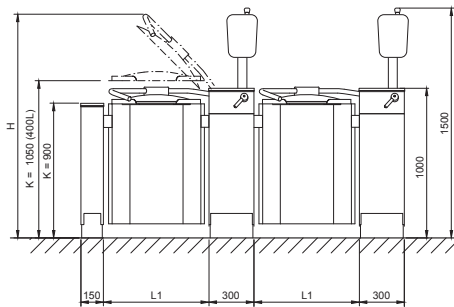
Viking 4G Steam Combi Jacketed Kettle

Viking 4G COMBI 80S (4224224)

Standard Features

- Kettle with integrated mixer
- 80 litre capacity
- Steam heated version
- Elevated control pillar with selected features
- Mixing speed control 20-110 rpm/min, autoreverse
- Two mixing programs
- Electric tilting – tilting height 600mm
- Auto tilt-back
- Safety grid lid
- Measuring stick
- Retractable handshower
- Strainer plate
- Stainless steel construction
- Unit shown includes free standing floor kit - other options available

Please refer to Moffat price list for options and accessories



Technical Data

Net Volume	80 L	Electrical	Power 2.2 kW
Spare Volume	11 L		Voltage 230V,
Gross Volume	91 L		1P+N+E 50/60Hz
Dimensions			AMP 10A
Width	1154mm	Total Heat	12 kW
Height	1500mm	Load	Latent 0.8 kW,
Depth	725mm		Sensible 3.4 kW
Connections		Waste	By kitchen contractor
Water	Cold ø15mm	Nett Weight	225 kg
	Hot ø10mm		
Steam	R ¾" 24 kg/hr		
Cond. Outlet	R ½"		

Model	L1 mm	H mm	L mm	M mm	U mm	T mm	Door mm
80S	704	1745	1010	1235	890	500	800

Australia
moffat.com.au
Moffat Pty Limited
 740 Springvale Road
 Mulgrave
 Victoria 3170
 Australia
 Telephone +613-9518 3888
 Facsimile +613-9518 3833
vsales@moffat.com.au

New Zealand
moffat.co.nz
Moffat Limited
 45 Illinois Drive
 Izone Business Hub
 Rolleston 7675
 New Zealand
 Telephone +64 3-983 6600
 Facsimile +64 3-983 6600
sales@moffat.co.nz



Disclaimer: All unit capacities are based on subjective testing. Moffat accepts no liability for production values. In line with policy to continually develop and improve its products, Moffat Limited reserves the right to change specifications and design without notice.

© Copyright Moffat Ltd
 AN-MET-S-2001