

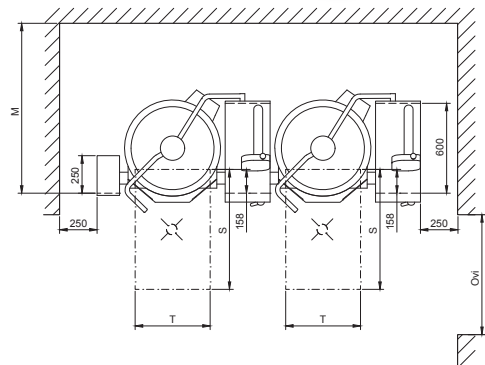
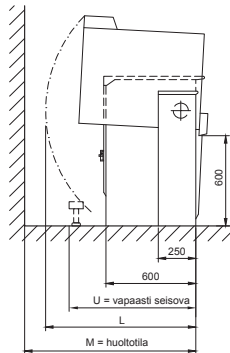
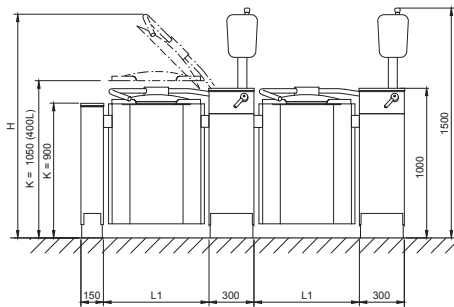
# Viking 4G Steam Static Jacketed Kettle

## Viking 4G 300S (4224132)

**Standard Features**

- 300 litre capacity
- Steam heated version
- Elevated control pillar with selected features
- Electromechanical controls
- Stepless temperature control
- Hydraulic tilting – tilting height 600mm
- Auto tilt-back
- Measuring stick
- Retractable handshower
- Strainer plate
- Stainless steel construction
- Unit shown includes free standing floor kit - other options available

*Please refer to Moffat price list for options and accessories*



**Technical Data**

Net Volume 300 L  
Spare Volume 33 L  
Gross Volume 333 L

**Dimensions**

Width 1560mm  
Height 1500mm  
Depth 1073mm

**Connections**

Water Cold ø15mm  
Hot ø15mm  
Steam R 1½" 90 kg/hr  
Cond. Outlet R ¾"

**Electrical** Power 0.9 kW  
Voltage 400-415V,  
3P+N+E 50/60Hz  
AMP 10A

**Total Heat** 40 kW

**Load** Latent 1.9 kW,  
Sensible 9.6 kW

**Waste** By kitchen contractor

**Nett Weight** 350 kg

Model	L1 mm	H mm	L mm	M mm	U mm	T mm	Door mm
<b>300S</b>	<b>1110</b>	<b>2110</b>	<b>1280</b>	<b>1320</b>	<b>1010</b>	<b>600</b>	<b>1010</b>

**Australia**  
[moffat.com.au](http://moffat.com.au)  
**Moffat Pty Limited**  
740 Springvale Road  
Mulgrave  
Victoria 3170  
Australia  
Telephone +613-9518 3888  
Facsimile +613-9518 3833  
[vsales@moffat.com.au](mailto:vsales@moffat.com.au)

**New Zealand**  
[moffat.co.nz](http://moffat.co.nz)  
**Moffat Limited**  
45 Illinois Drive  
Izone Business Hub  
Rolleston 7675  
New Zealand  
Telephone +64 3-983 6600  
Facsimile +64 3-983 6600  
[sales@moffat.co.nz](mailto:sales@moffat.co.nz)



Disclaimer: All unit capacities are based on subjective testing. Moffat accepts no liability for production values. In line with policy to continually develop and improve its products, Moffat Limited reserves the right to change specifications and design without notice.

© Copyright Moffat Ltd  
AN-MET-S-2001

